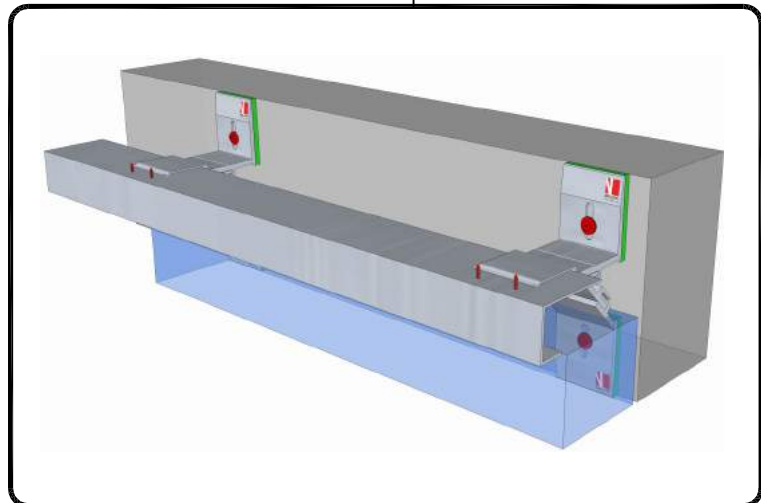
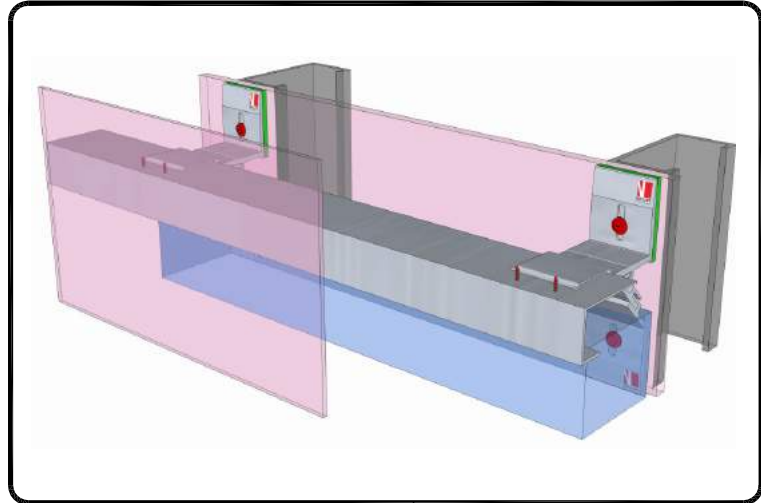


System:- NH1

Aluminium Support System for Rainscreen Cladding



CONTENTS:

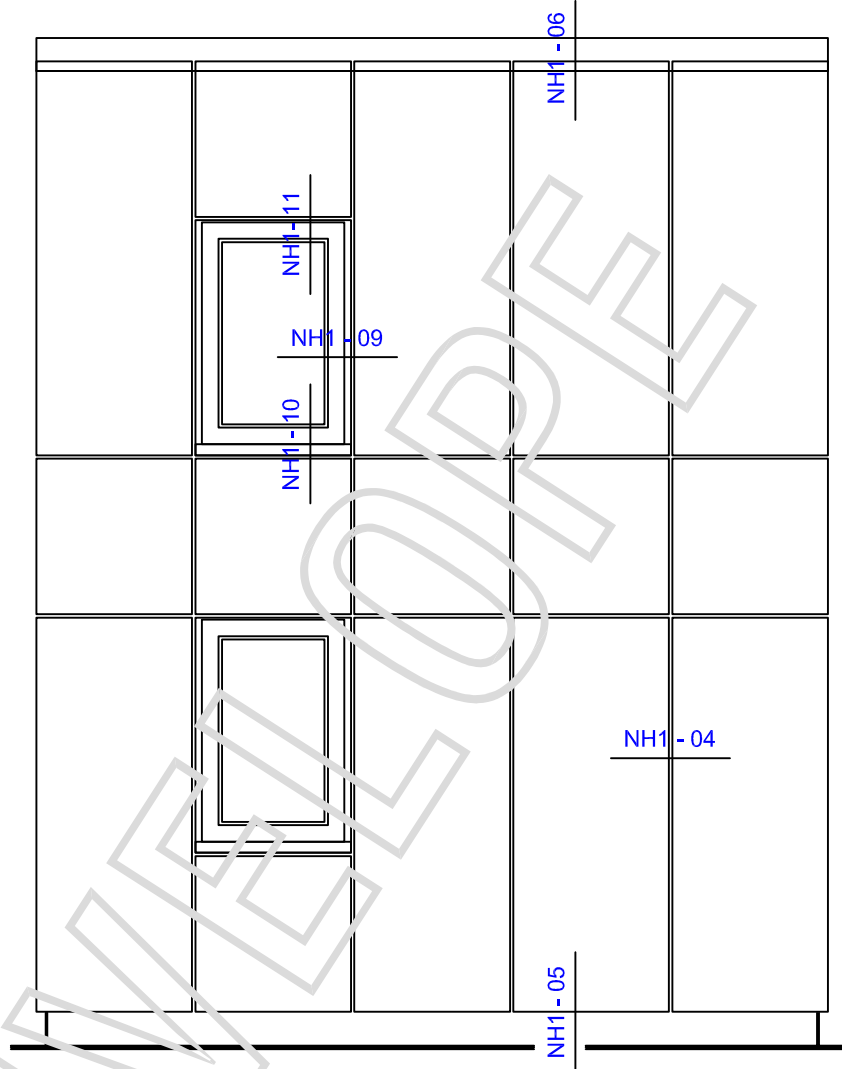
- NH1 - 01 front sheet
- NH1 - 02 location sheet

- NH1 - 03 horizontal fixed point bracket
- NH1 - 04 fixed point and sliding point bracket
- NH1 - 05 vertical section at base
- NH1 - 06 vertical section head

- NH1 - 07 horizontal external corner
- NH1 - 08 horizontal internal corner
- NH1 - 09 horizontal section window reveal
- NH1 - 10 vertical section window sill
- NH1 - 11 vertical section window lintel
- NH1 - 12 bracket sizes
- NH1 - 13 horizontal "L" rail

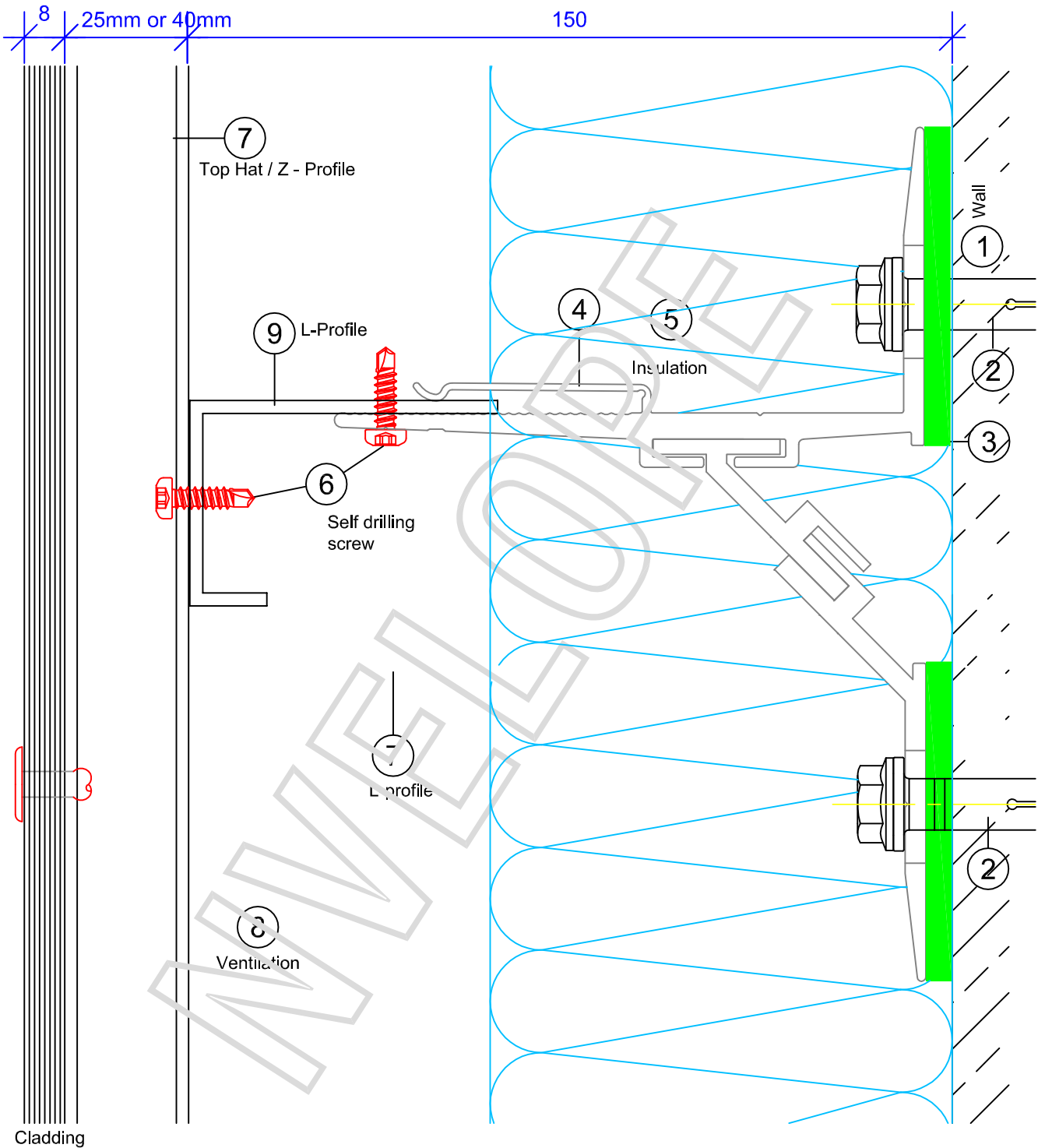
- NH1 - 14 Omega and "Z" section

System:- NH1

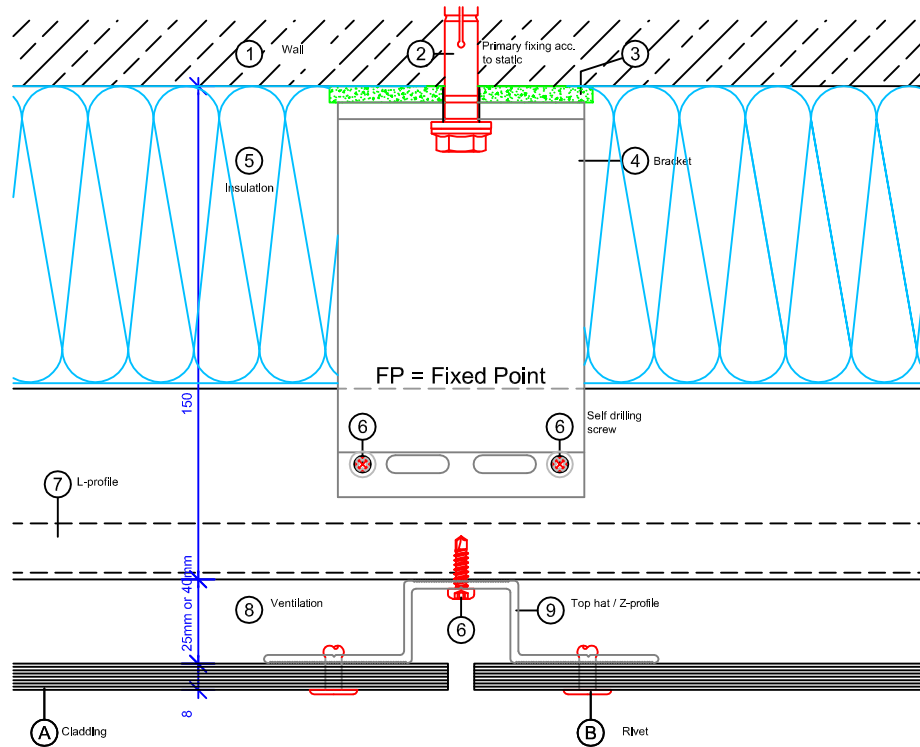


View of cladding

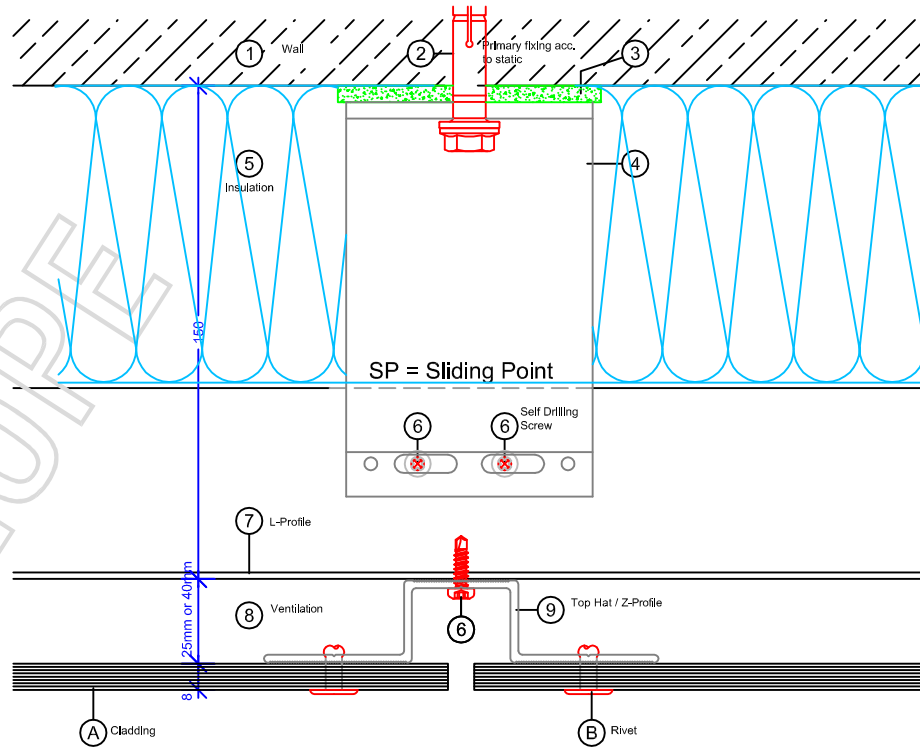
System:- NH1



Vertical section - NH1 Bracket

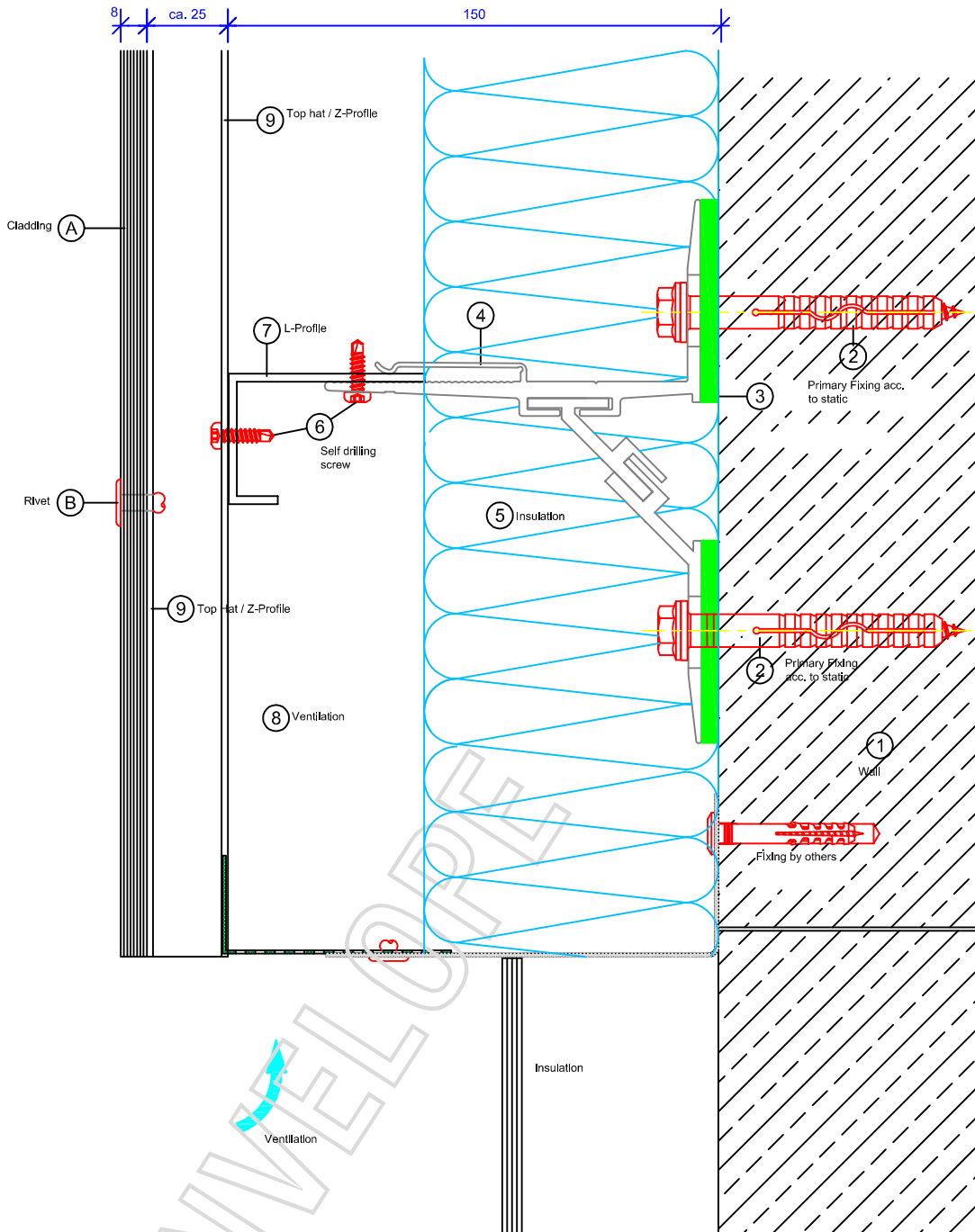


Horizontal Section - Fixed Point



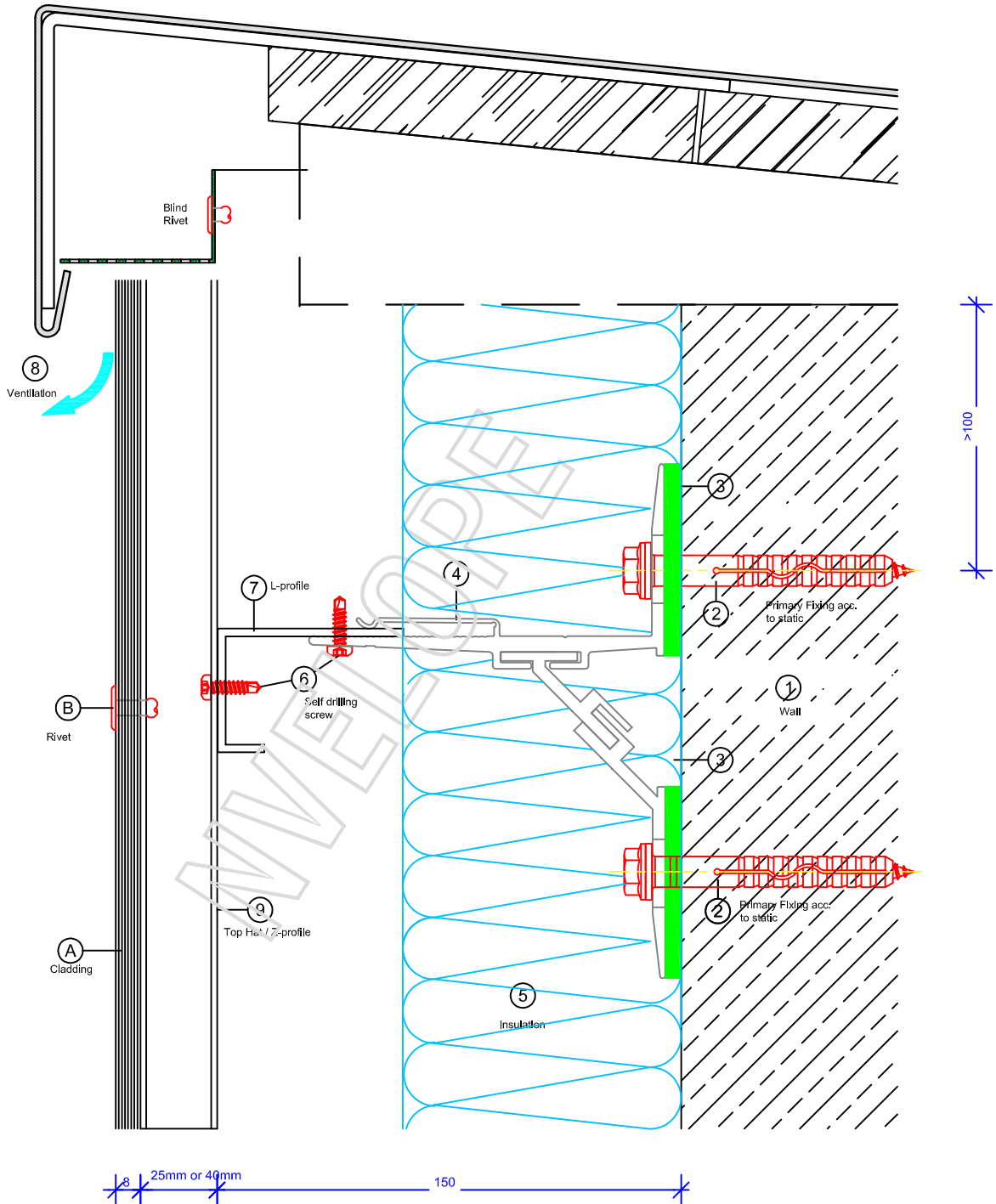
HORIZONTAL SECTION - Sliding Point

System:- NH1



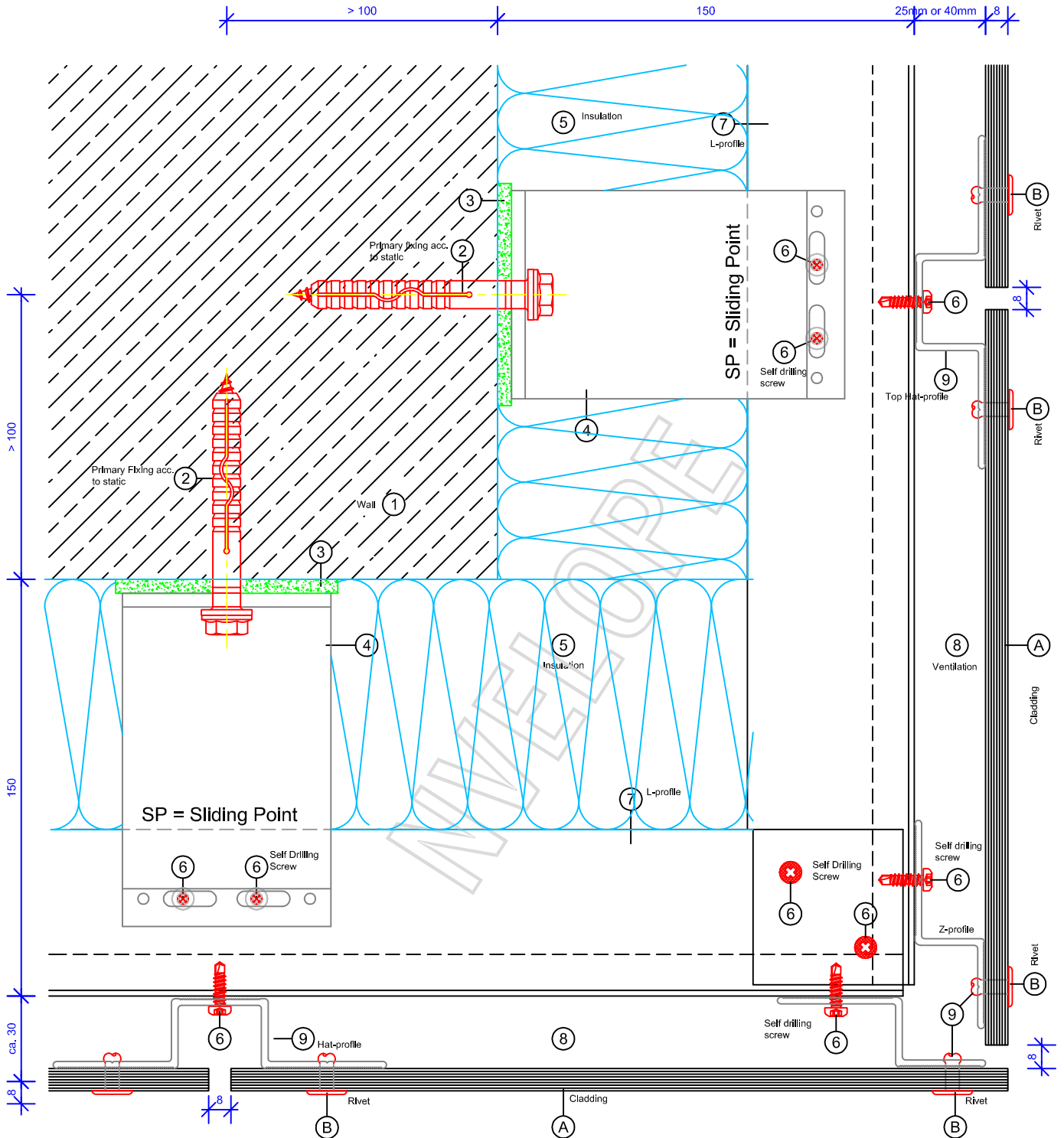
Vertical Section -Base Detail

System:- NH1



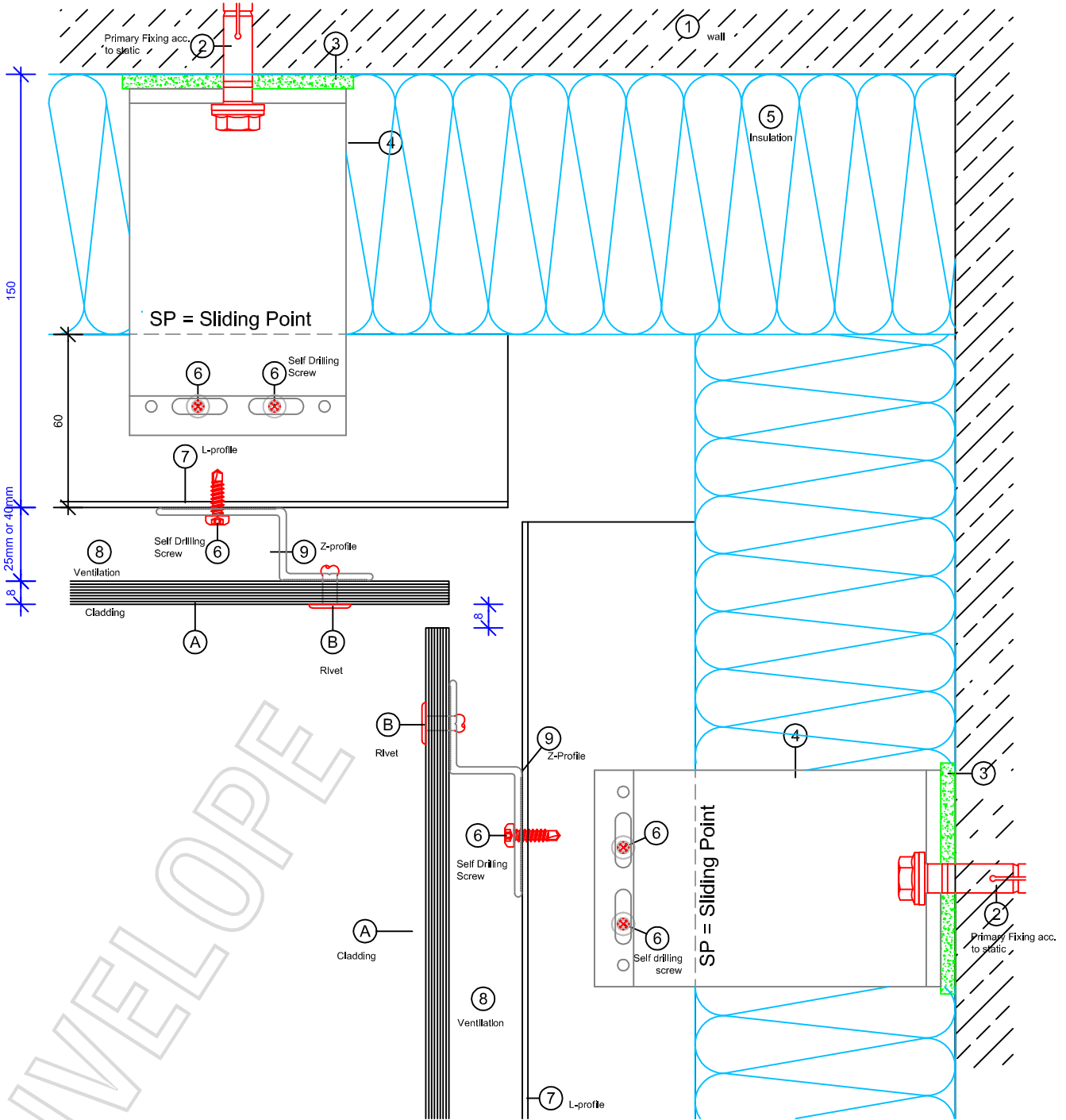
Vertical Section - Head Detail

System:- NH1



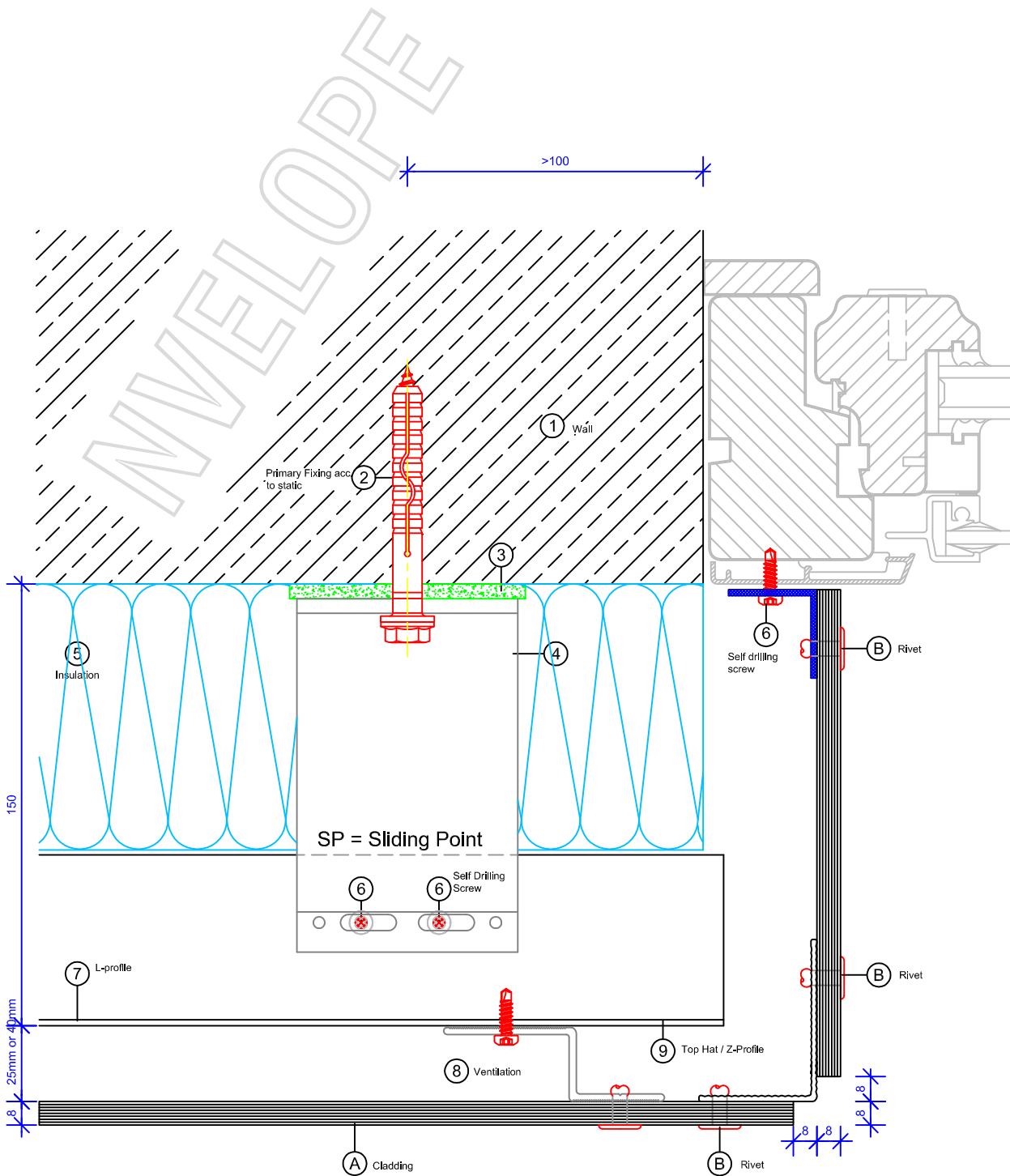
Horizontal Section - External Corner

System:- NH1

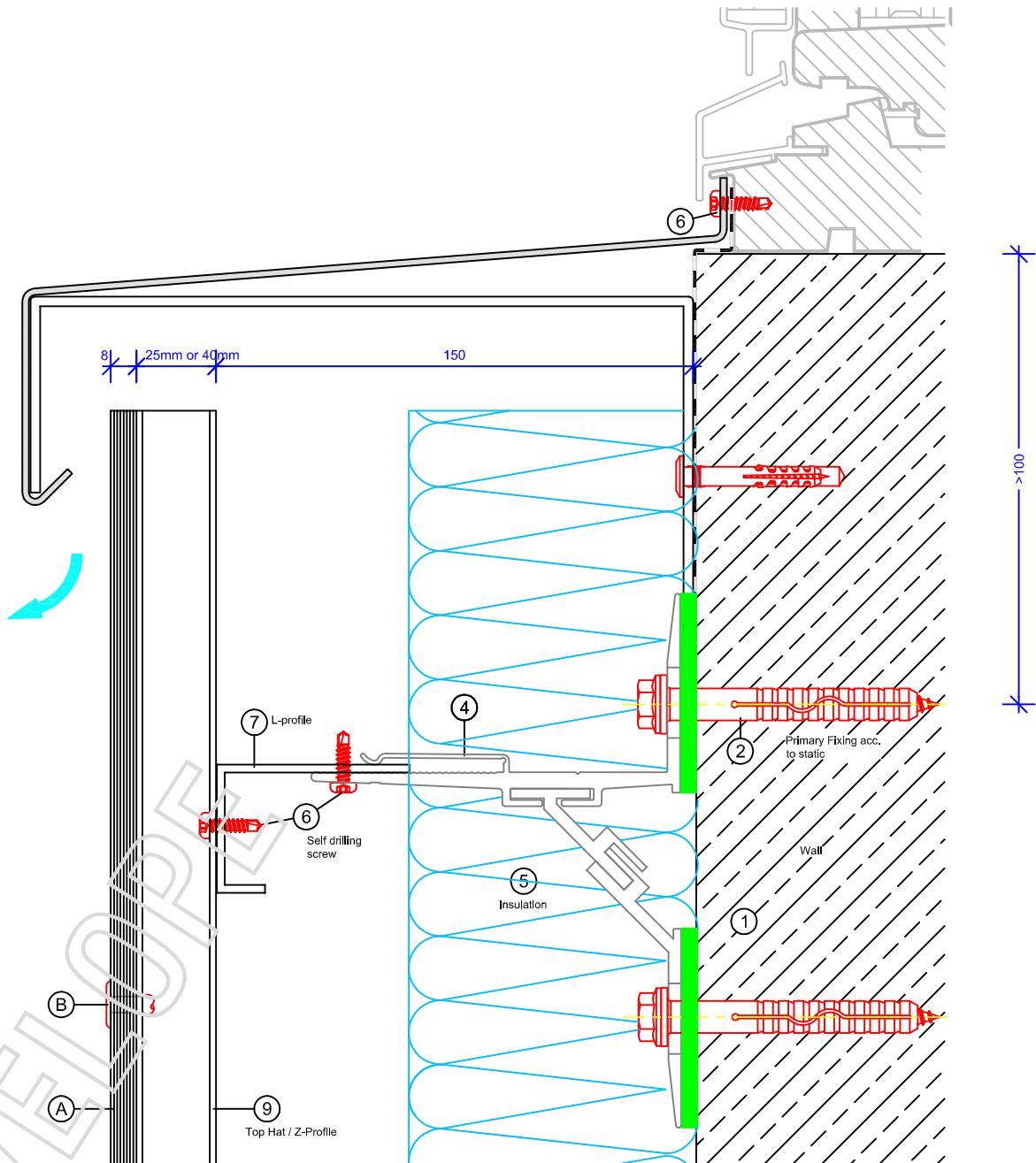


Horizontal Section - Internal Corner

System:- NH1

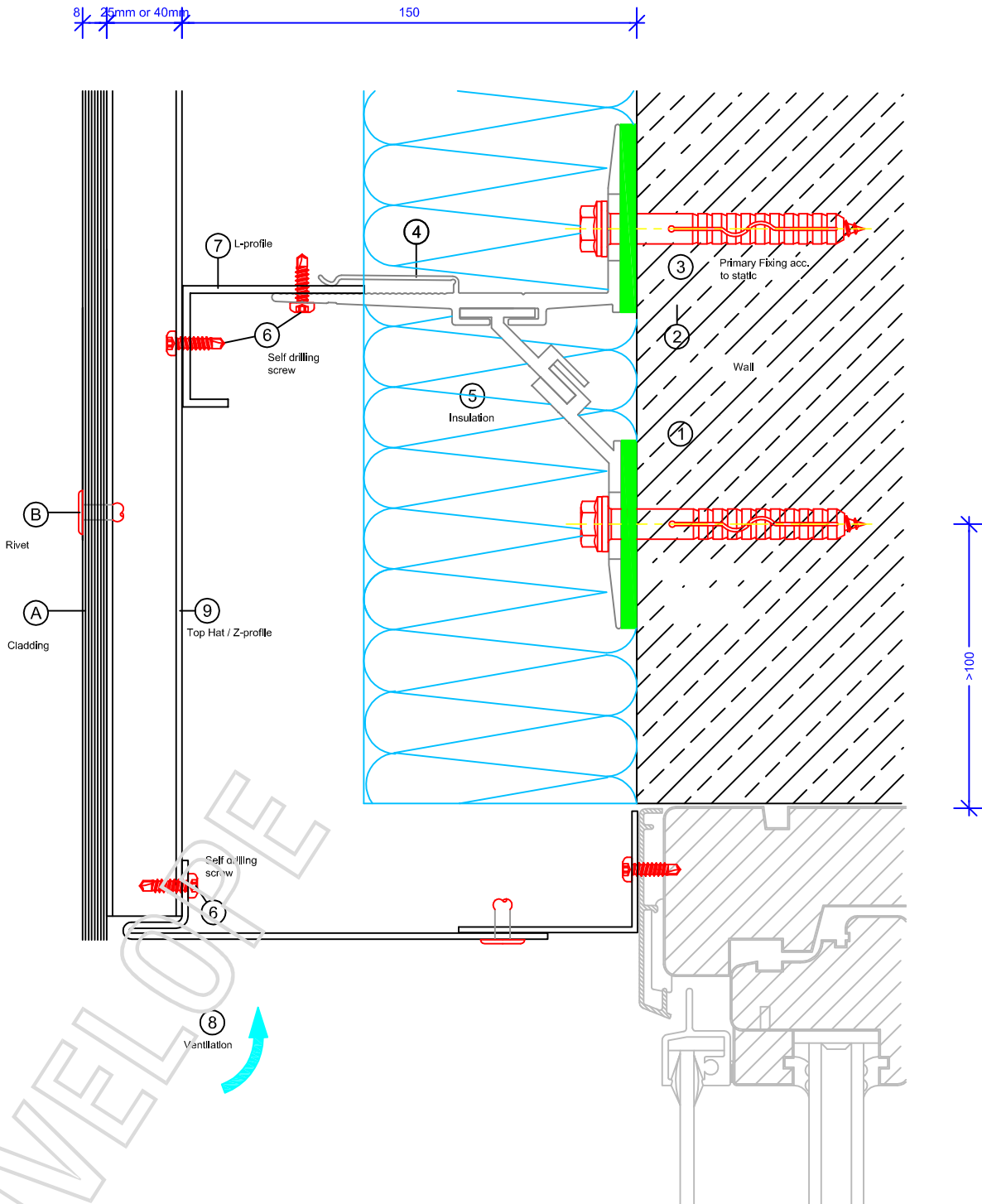


Horizontal Section - Window - Reveal



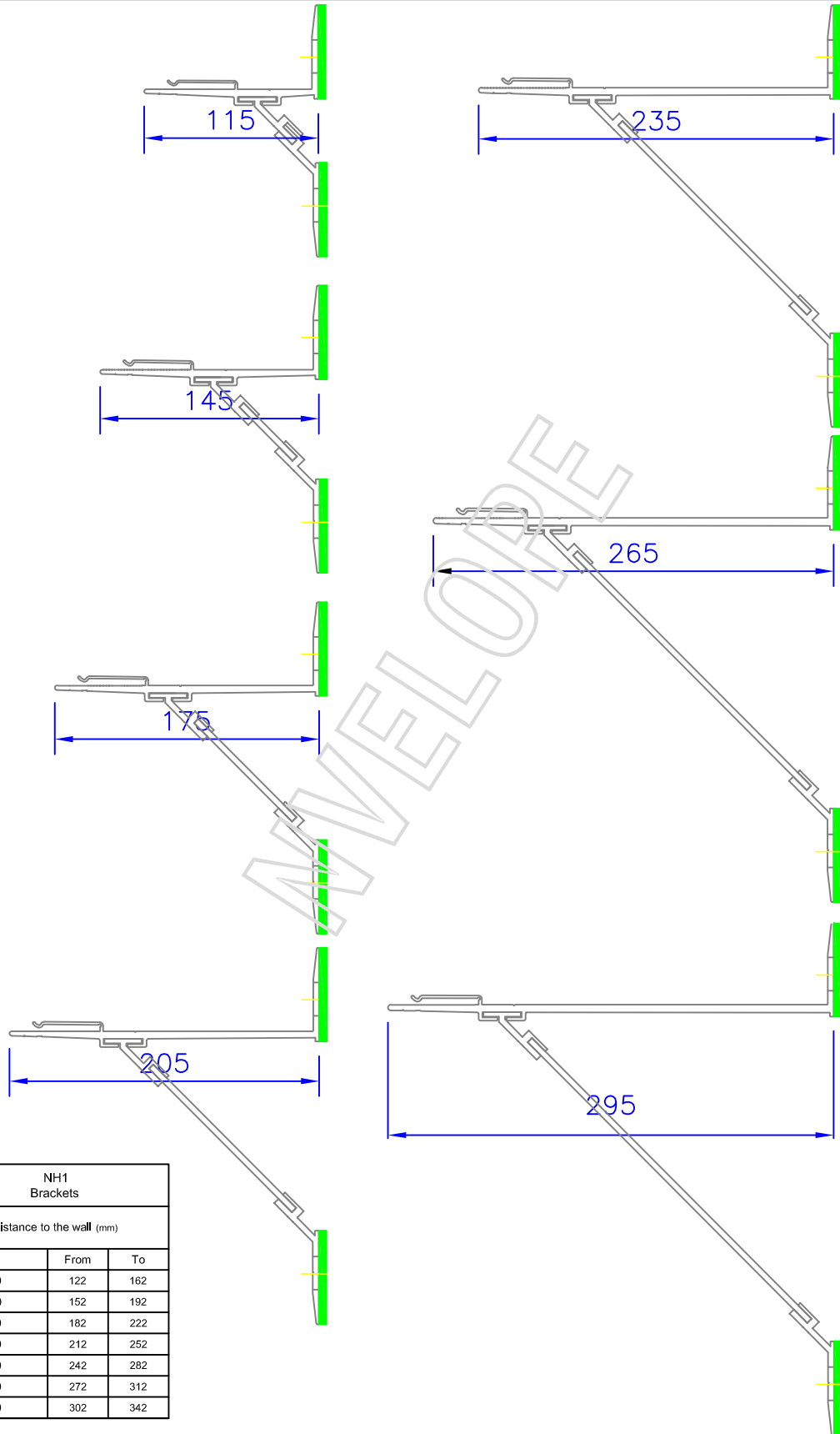
Vertical Section - Window - Sill

System:- NH1



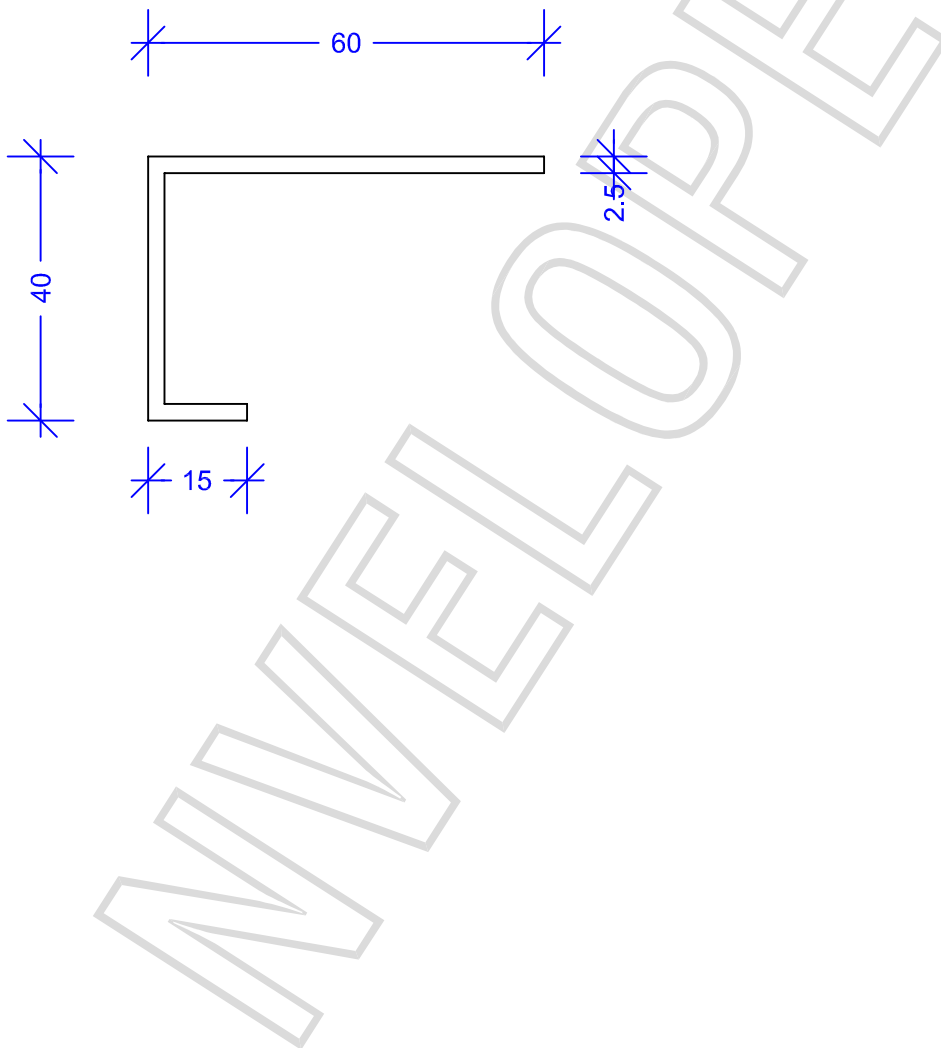
Vertical section - window - lintel

System:- NH1



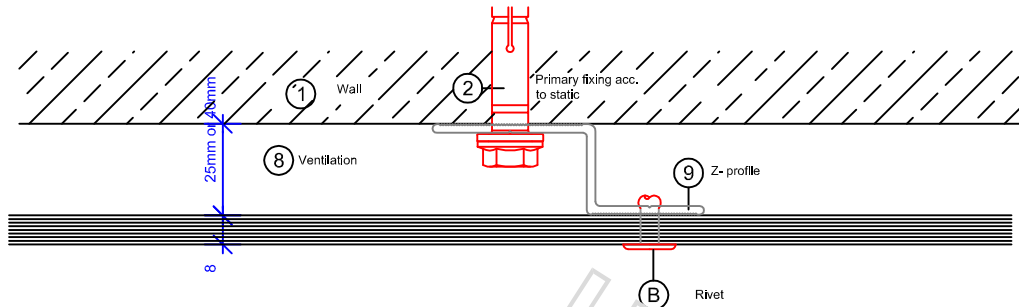
NH1 Brackets		
Distance to the wall (mm)		
V	From	To
NH1 120	122	162
NH1 150	152	192
NH1 180	182	222
NH1 210	212	252
NH1 240	242	282
NH1 270	272	312
NH1 300	302	342

System:- NH1

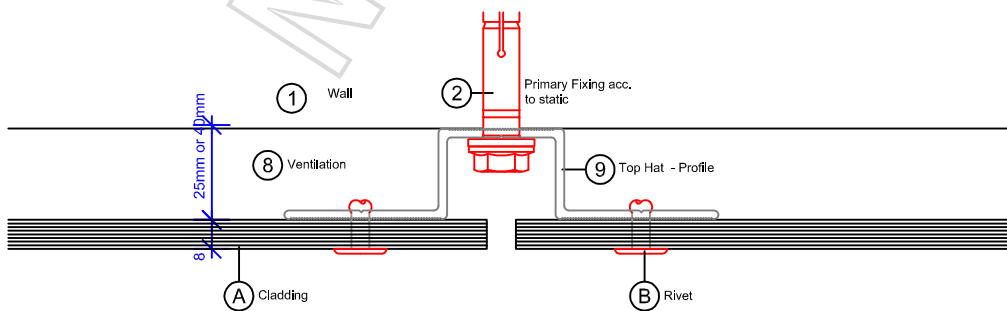


horizontal "L" Rail

System:- NH1



Horizontal Section - Z - Profile



Horizontal Section - Top Hat Profile