



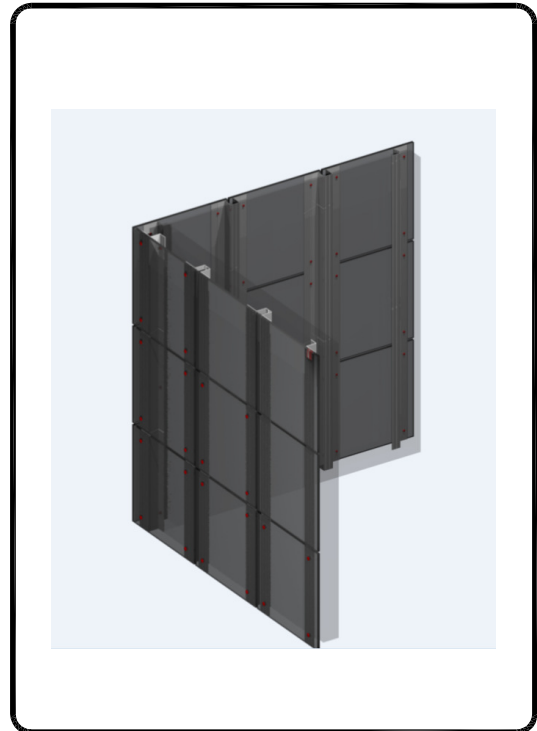
NV9



elemental
Architectural Cladding Specialists

aluminium support system for
rainscreen cladding

NVELOPE NV9 SYSTEM



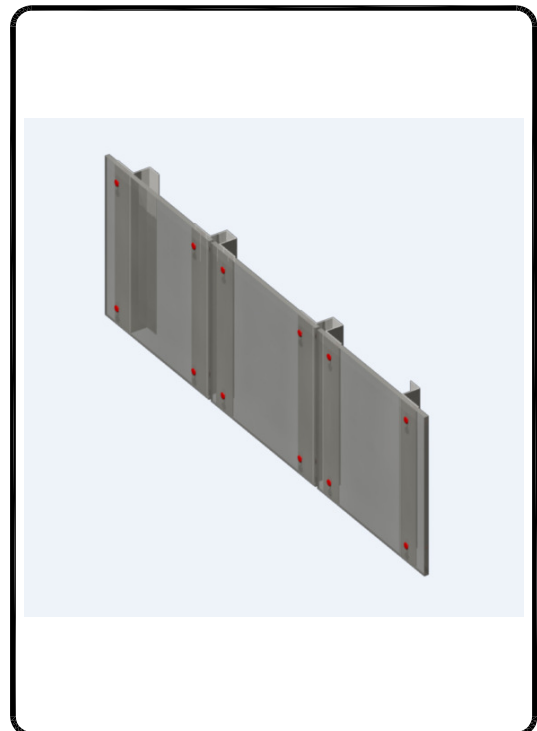
LEGEND:

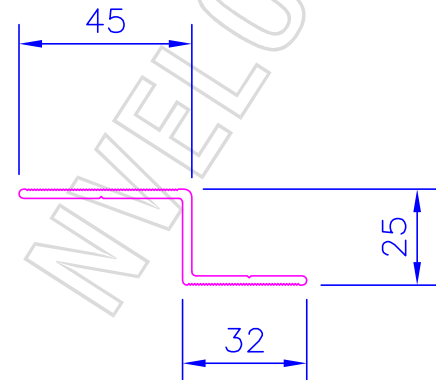
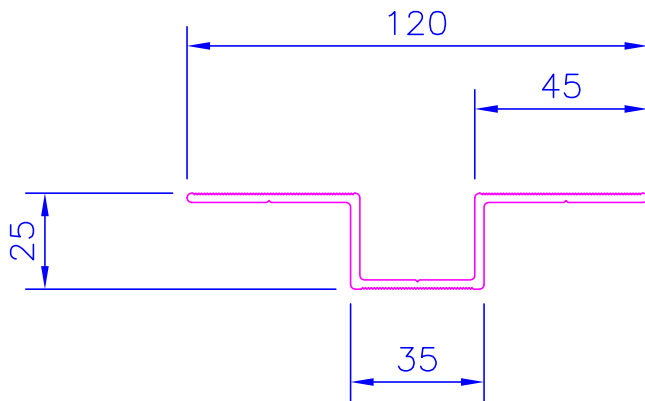
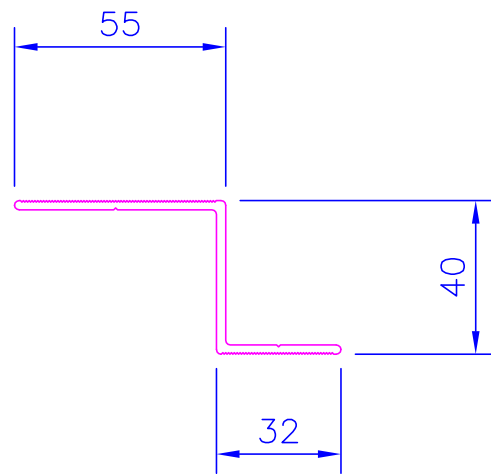
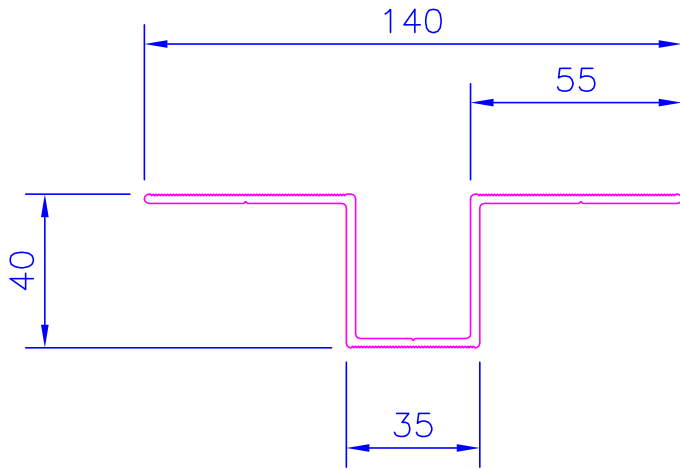
- A - Cladding
- B - Cladding-rivet

- 1 - SFS steel wall + cement board
- 2 - Stainless steel fixing
- 3 - OMEGA AND Z profile vertical
- 4 - Ventilation Cavity

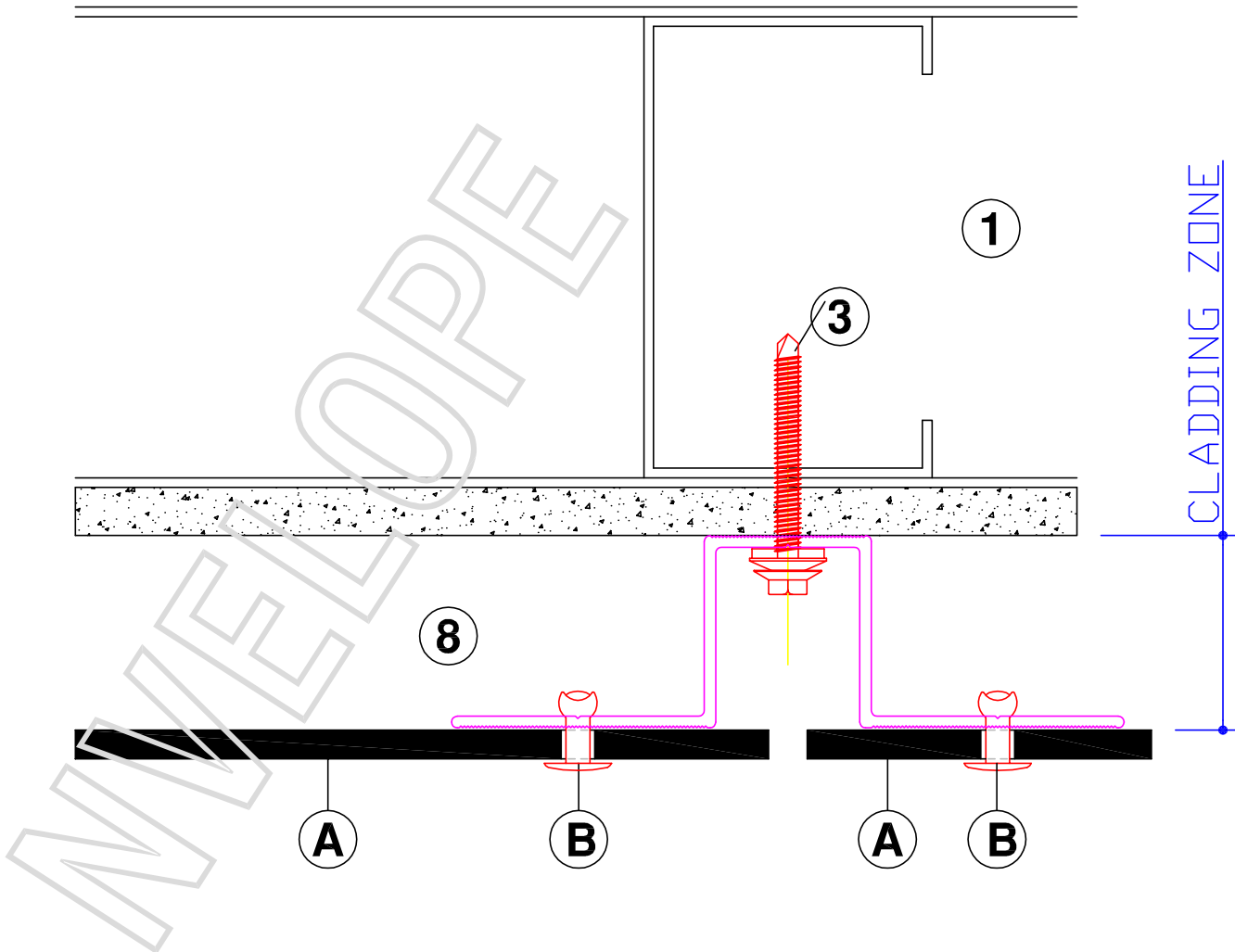
CONTENTS:

- NV9-00 NVELOPE System detail sheet
- NV9-01 Tolerances for 25mm and 40mm omega and "Z"
- NV9-02 Horizontal section
- NV9-03 Vertical section
- NV9-04 Horizontal section window jamb
- NV9-05 Vertical section window sil
- NV9-06 External corner
- NV9-07 Internal corner

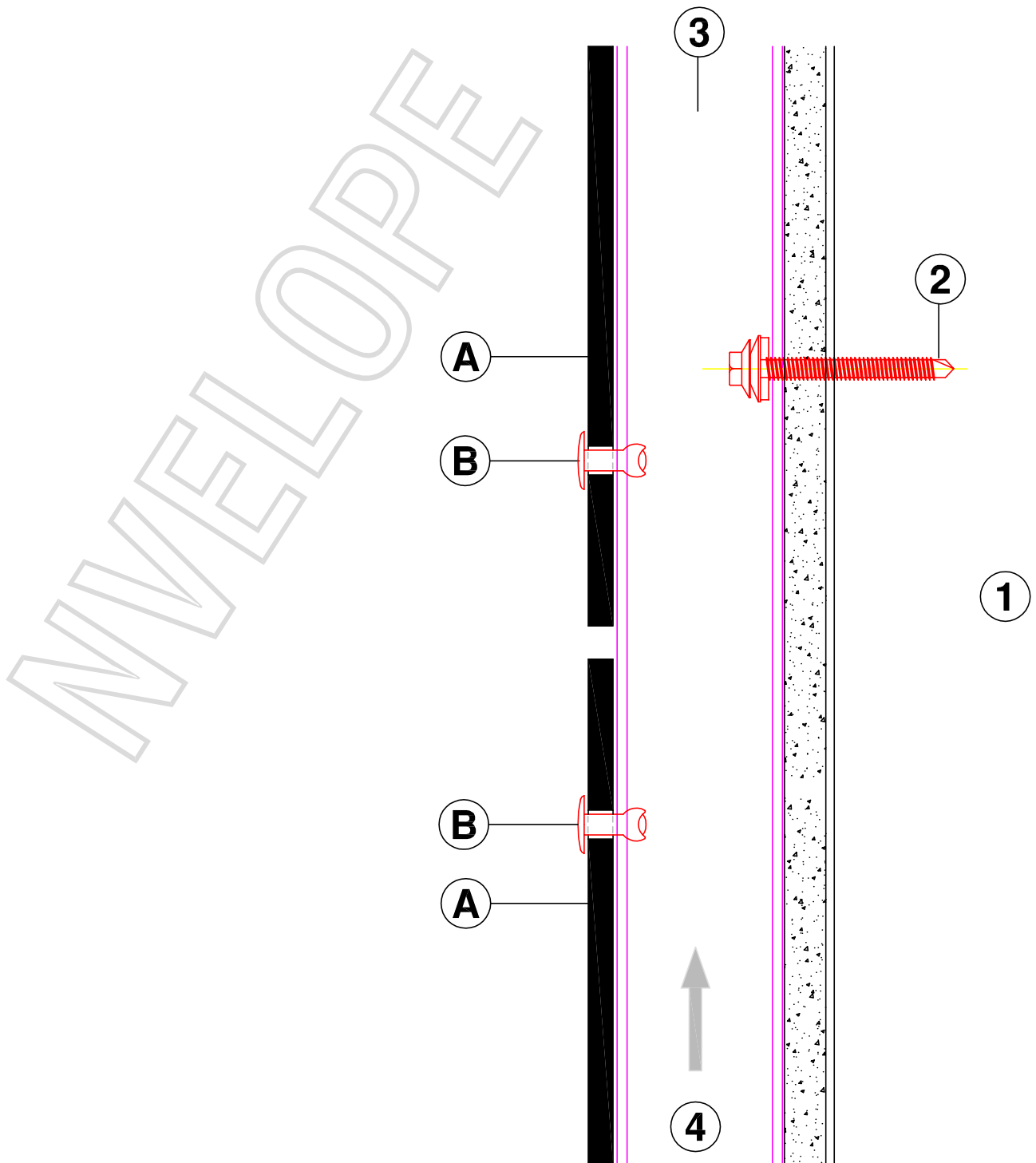




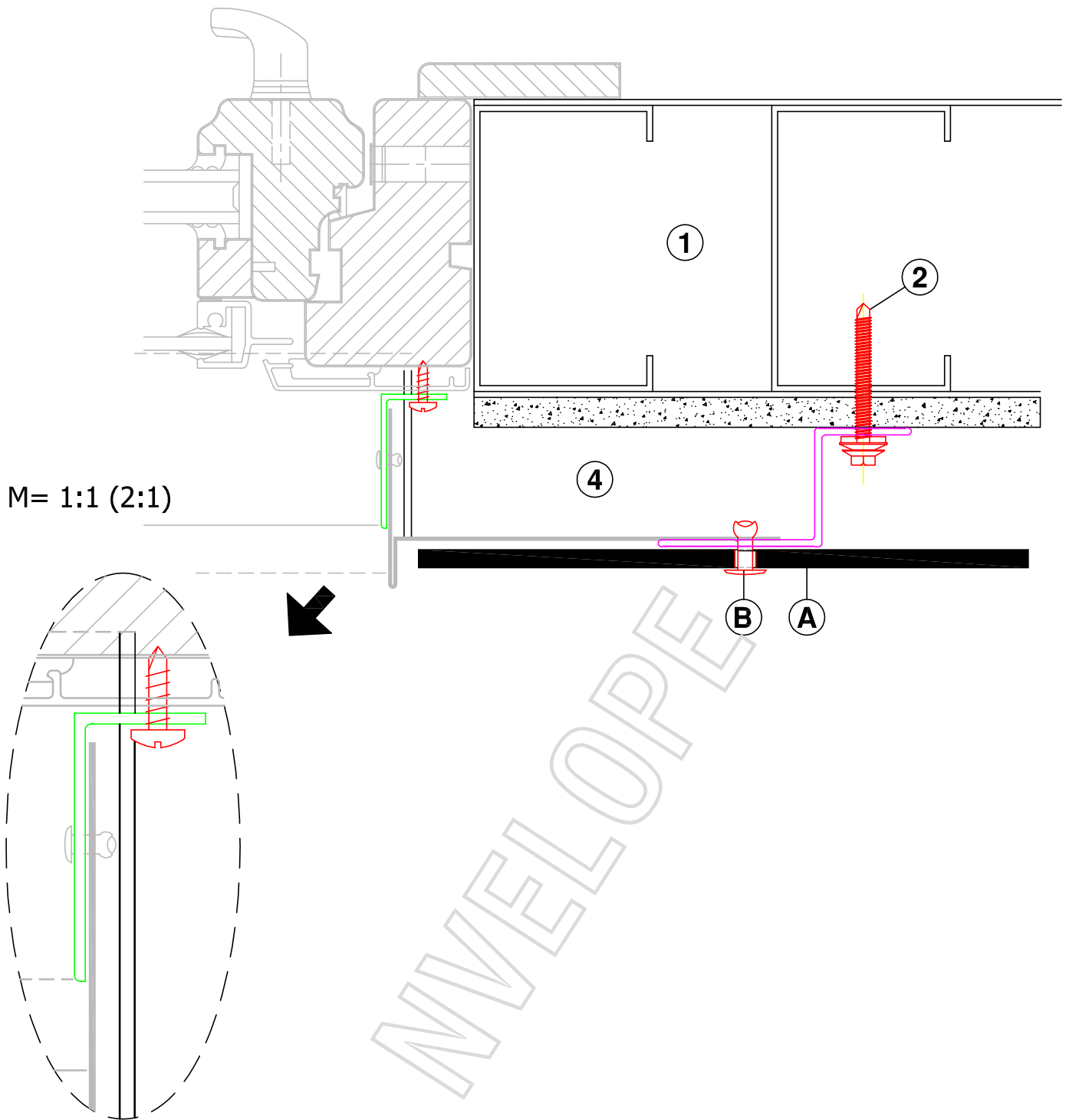
MATERIAL 6063 T6 ALUMINIUM
AVAILABLE IN 3000mm & 6000mm LENGTHS

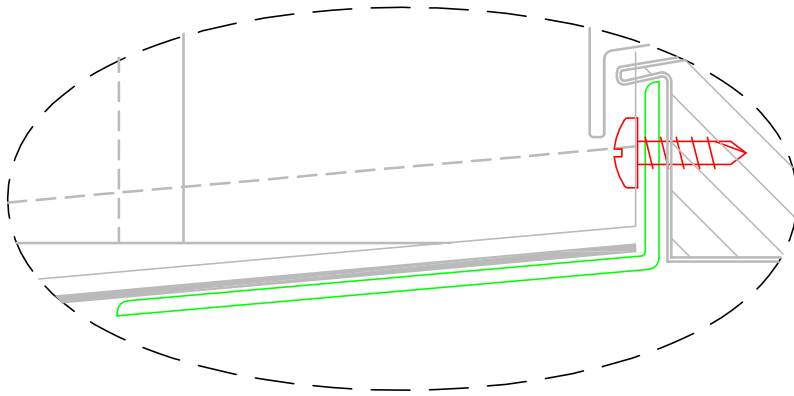


HORIZONTAL SECTION

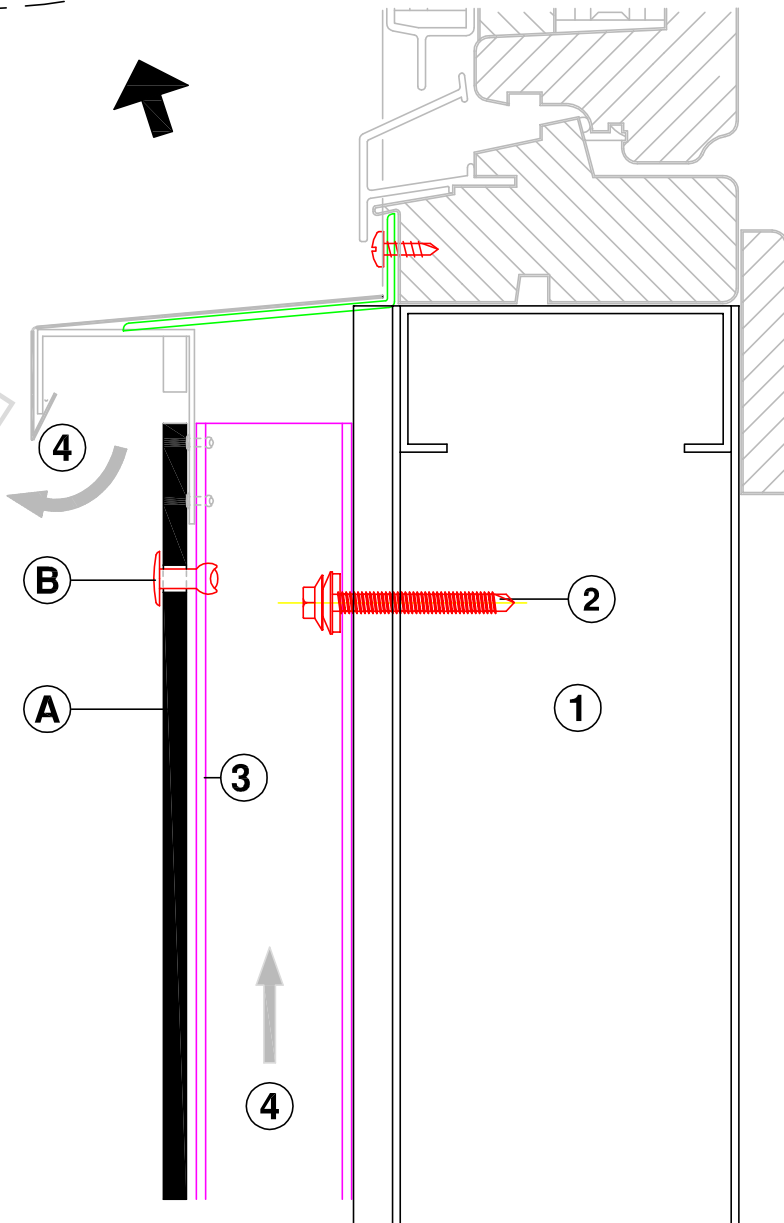


VERTICAL SECTION

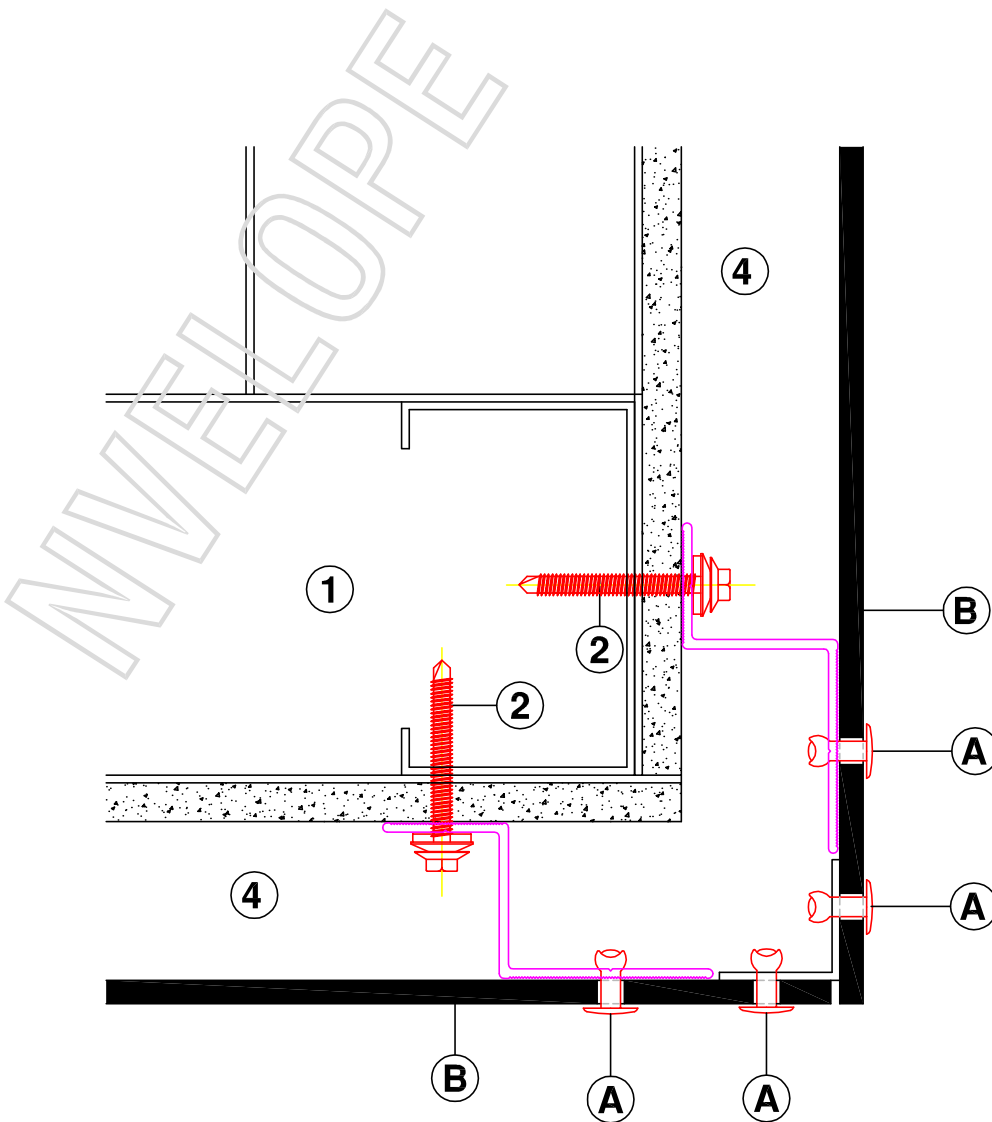




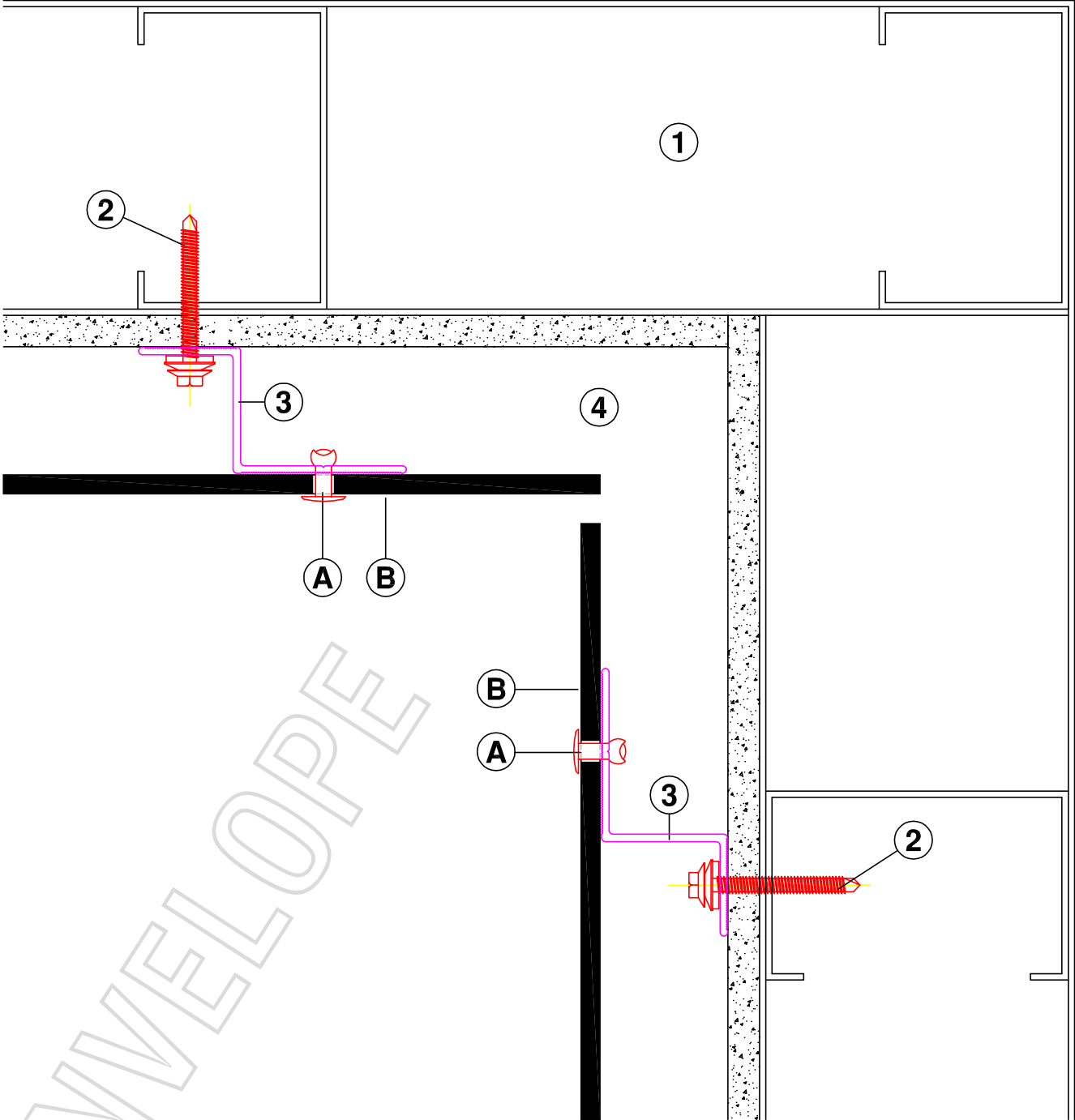
M= 1:1 (2:1)



VERTICAL SECTION - WINDOW SILL DETAIL



HORIZONTAL SECTION - EXTERNAL CORNER



HORIZONTAL SECTION - INTERNAL CORNER



elemental
Architectural Cladding Specialists

www.elemental.ie

Tel: (01) 293 8951

nvelope.com