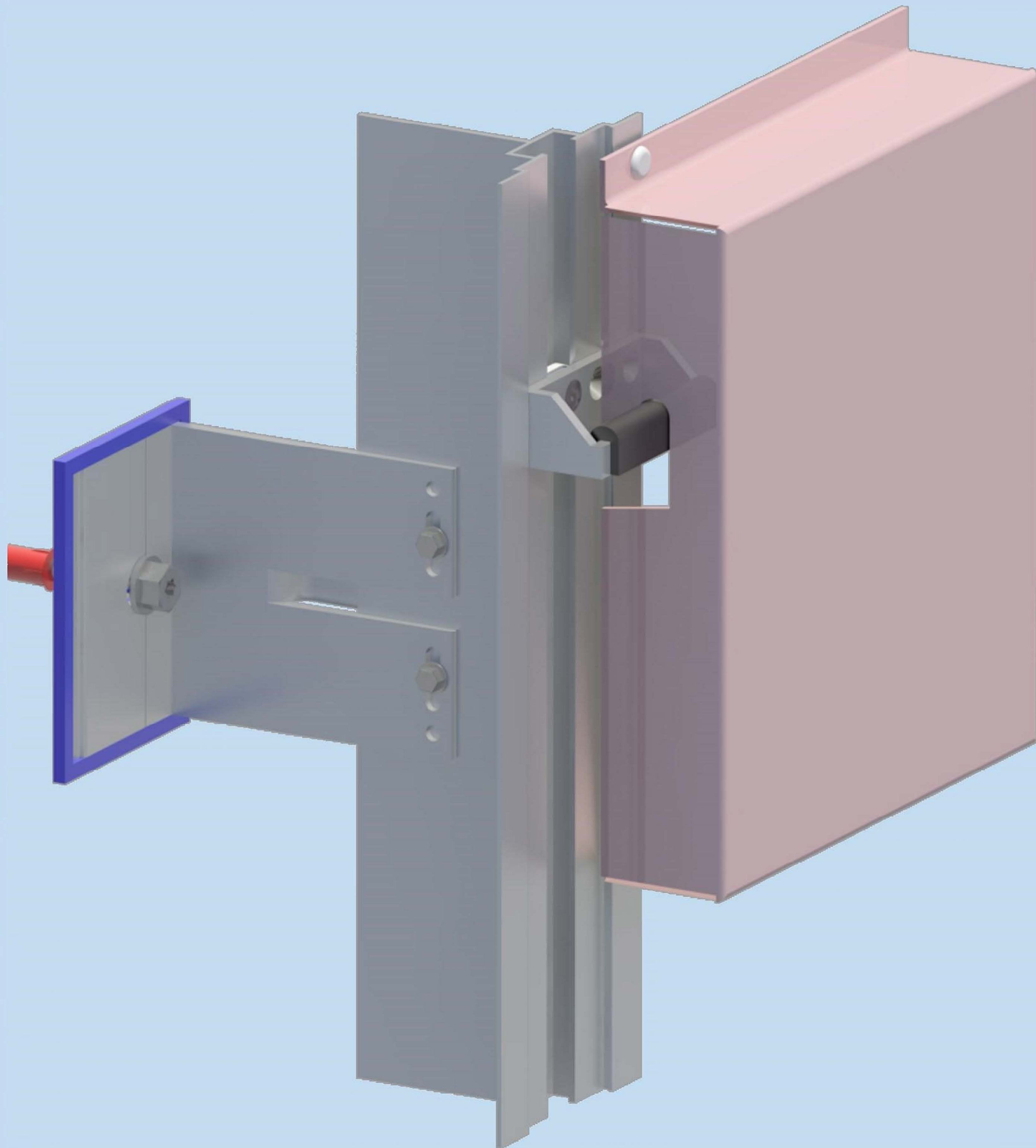


SYSTEM F1.59

Aluminium-Unterkonstruktion für
Vorgehängte hinterlüftete Fassaden

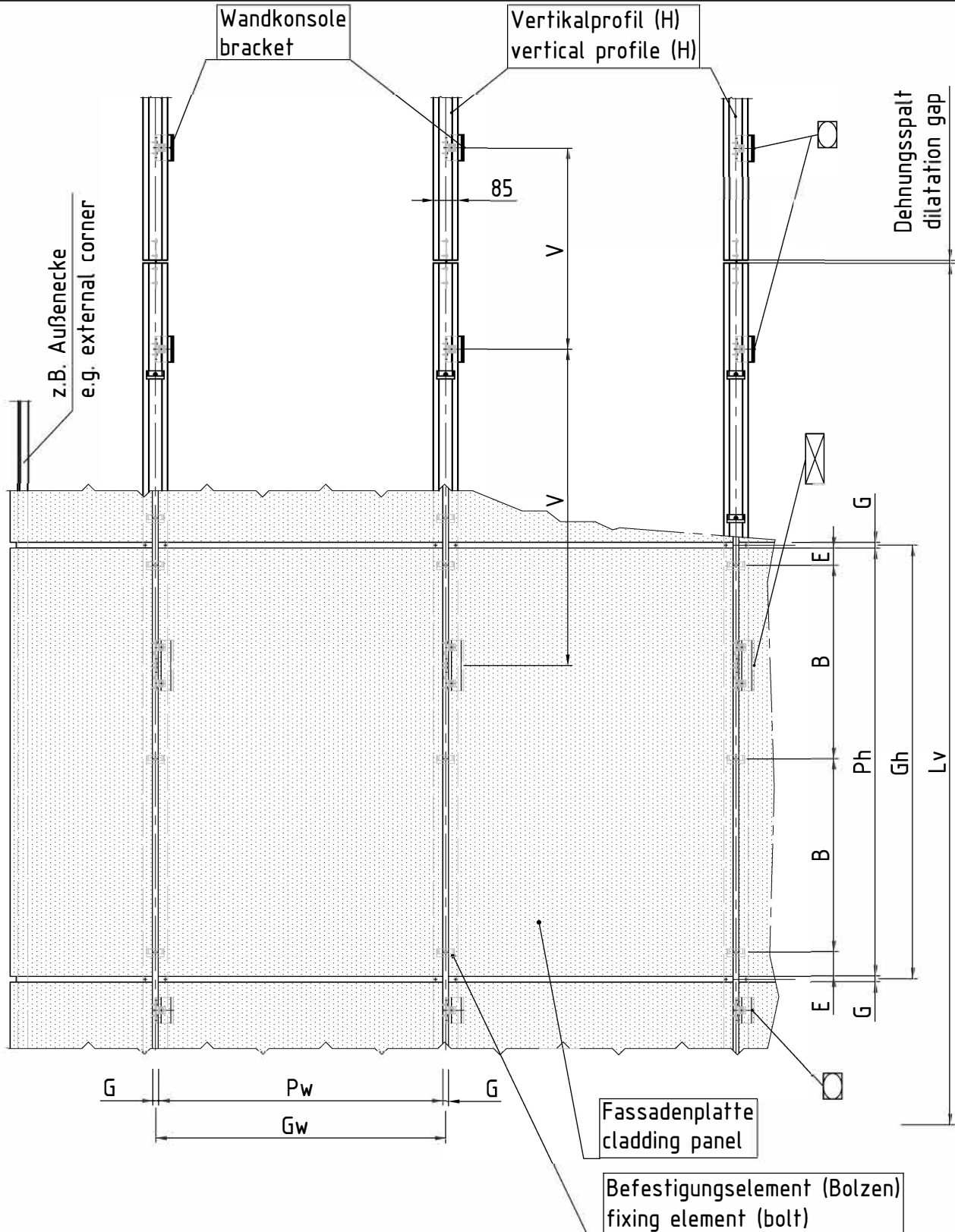
aluminum-substructure for
rainscreen cladding



	units	page
contents		00
<u>massive wall</u>		
overview	metric	01
construction depth (table)	metric	02
horizontal section	metric	03
horizontal section -external corner	metric	04
Horizontal section -internal corner	metric	05
Horizontal section -internal corner	metric	06
Horizontal section- window detail	metric	07
Vertical section	metric	08
Vertical section	metric	09
Vertical section- joint of profile	metric	10
Vertical section-window detail	metric	11
Vertical section-window detail	metric	12
Vertical section- parapet detail	metric	13

note: The realisation of the pictured fasteners can be carried out alternatively as tapping screw (\varnothing 4,8x19) or rivet (\varnothing 5 aluminium/stainless steel or stainl.steel/stainl.steel) .

footnote 1): The width of the ventilation area depends on local building specifications (standards) and object specific physical requirements.



Legende / Legend

- | | |
|--|---|
| Gw...Rasterbreite
horizontal grid distance | Lv...Profillänge (ca. 3m)
length of profile (approx. 3m/120") |
| B.....Plattenbefestigungsabstand
panel fixing distance | Ph...Plattenhöhe
panel height |
| E.....Randabstand der Befestigungsmittel
edge distance of fixing elements | Pw...Plattenbreite
panel width |
| G.....Spaltbreite (zwischen den Platten)
gap distance (between panels) | V.....vertikaler Wandkonsolenabstand
vertical bracket distance |
| Gh...Rasterhöhe
vertical grid distance | |



Konsole F1 + als Festpunkt
bracket F1 + used as fixed point



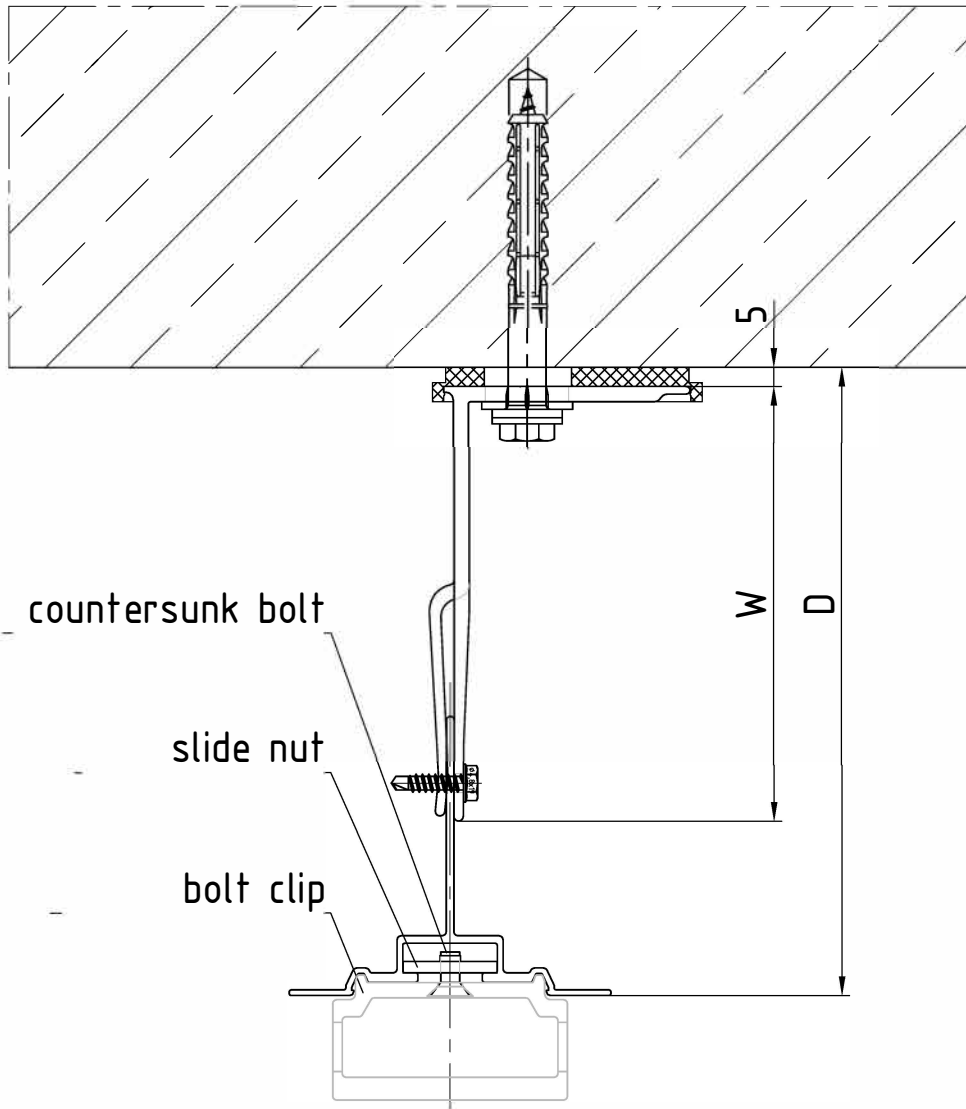
Konsole F1 + als vertikaler Gleitpunkt
bracket F1 + used as vertical sliding point



Konsole F1 als Festpunkt
bracket F1 used as fixed point



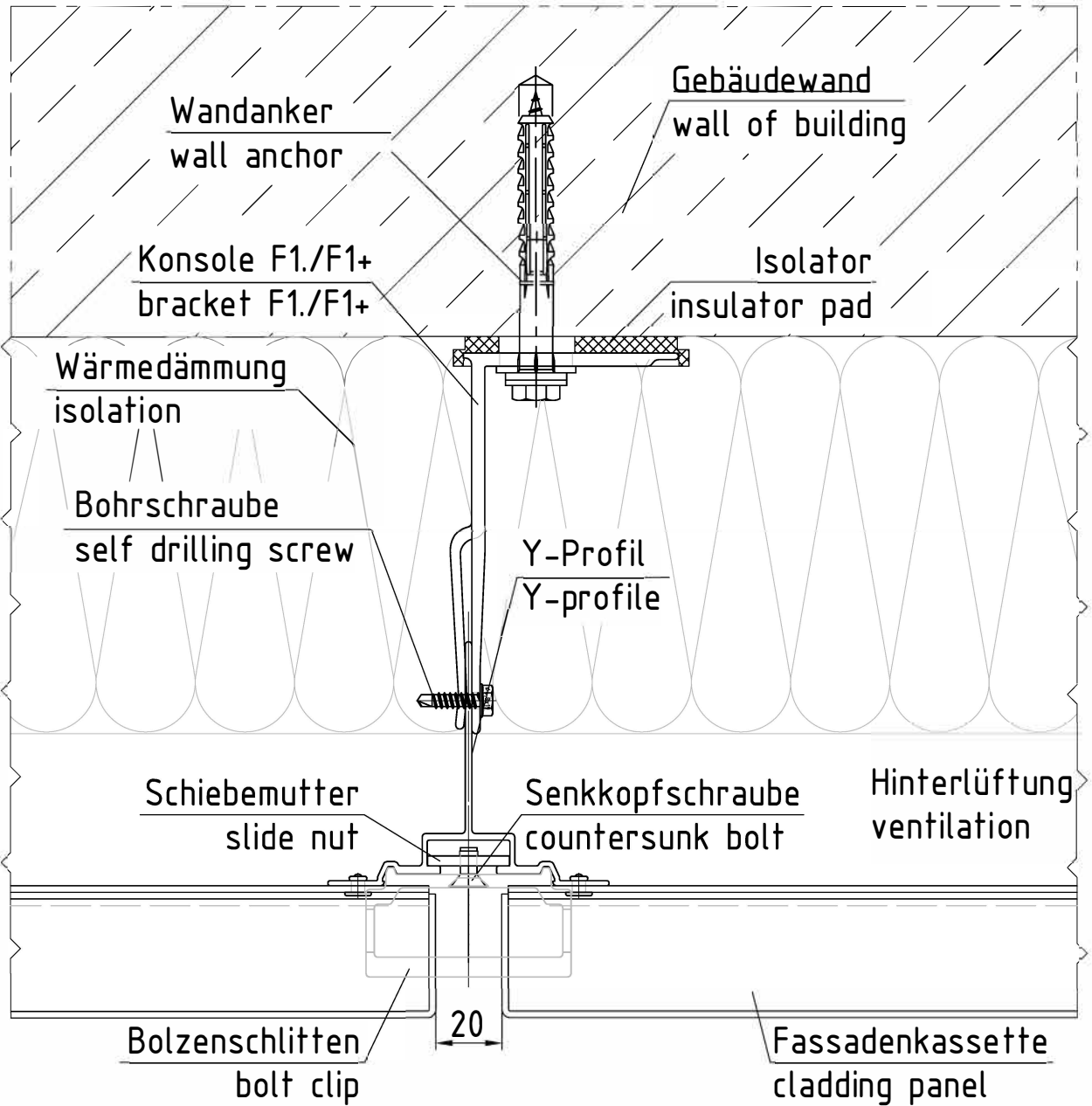
Konsole F1 als vertikaler Gleitpunkt
bracket F1 used as vertical sliding point

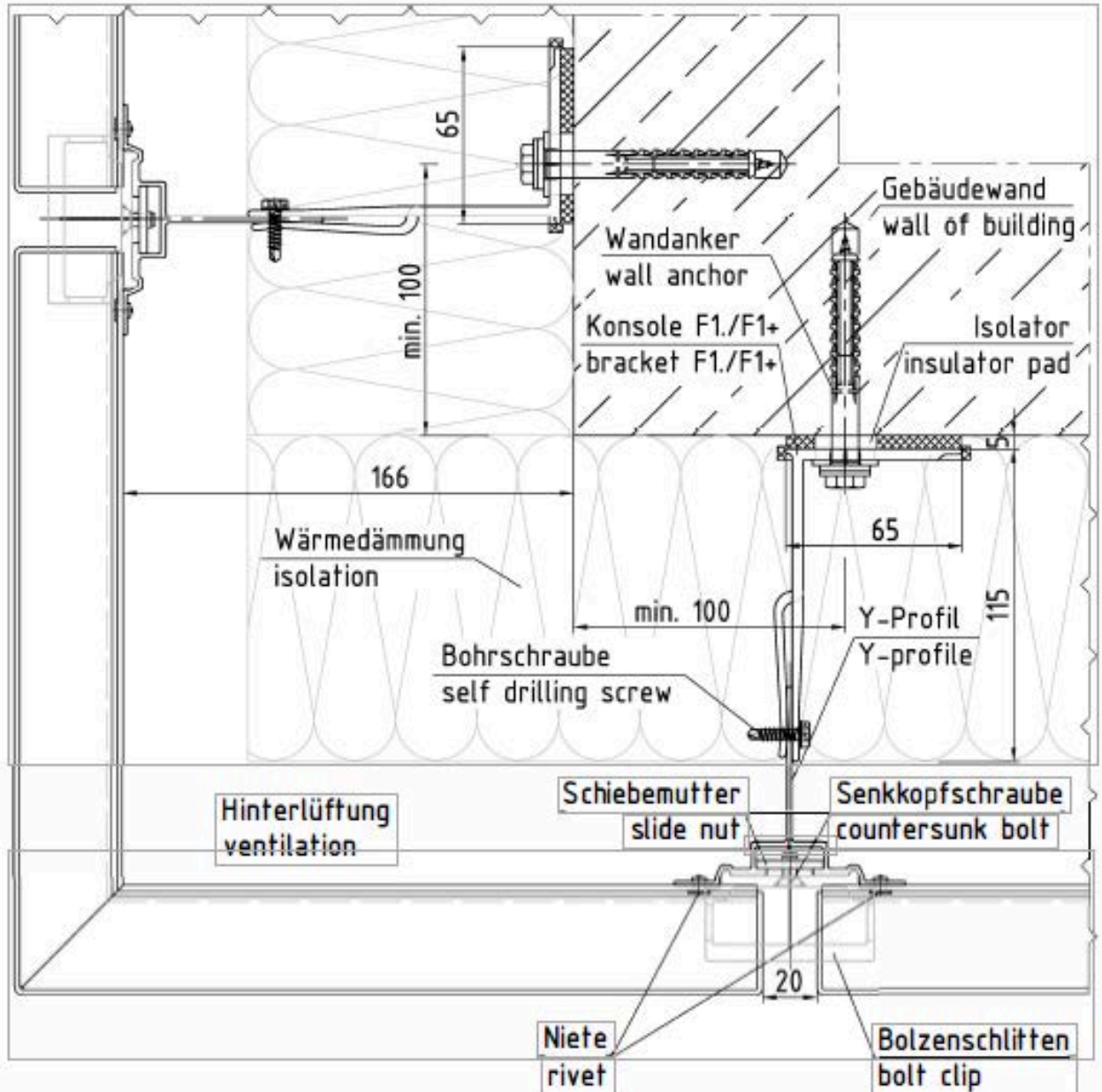


Scale 1:2

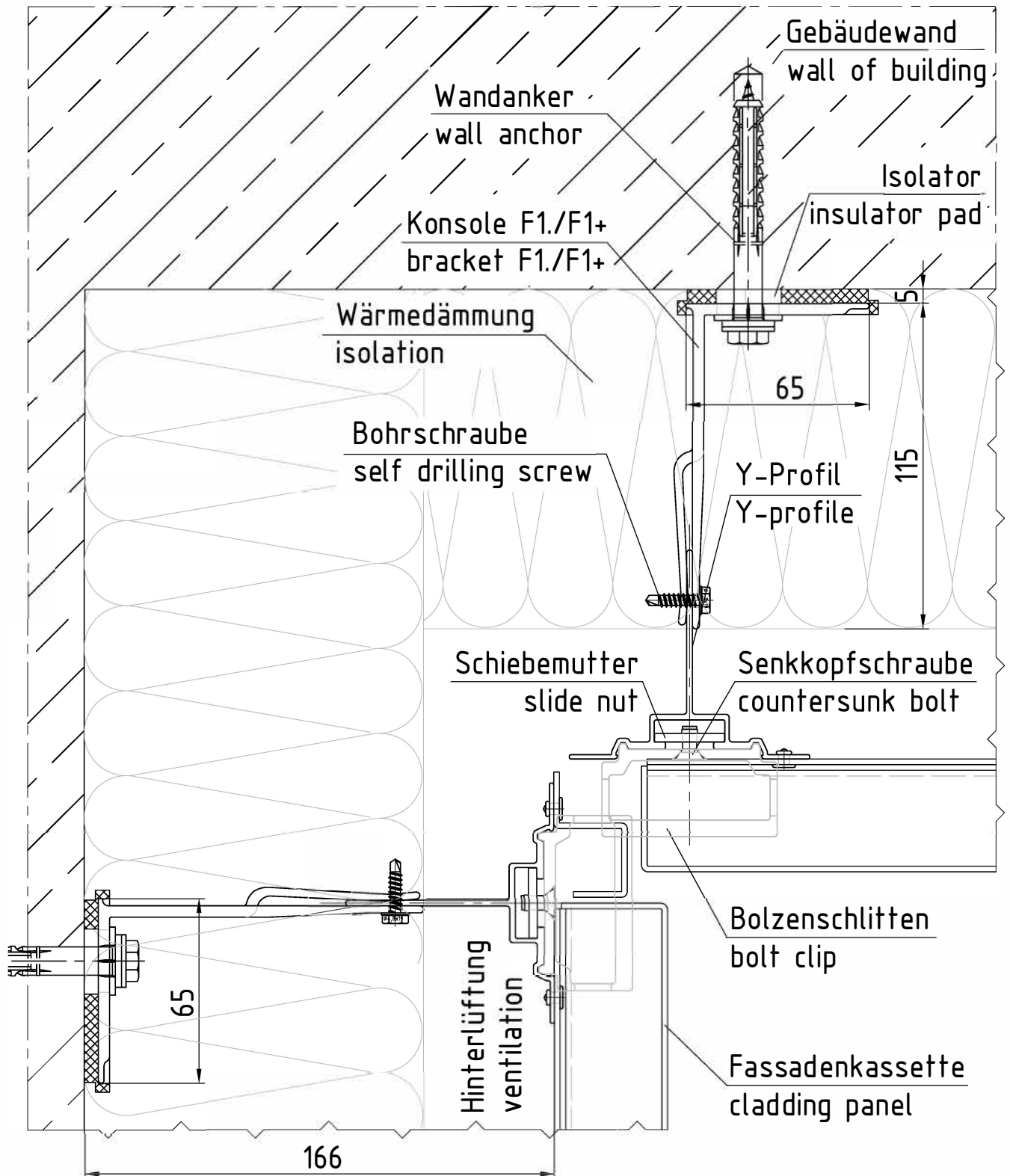
Table of Distances

bracket F1	bracket F1+	throat depth "W"	distance "D"
		35mm	
F1.35	F1+35	50mm	101mm - 111mm
F1.50	F1+50	80mm	101mm - 128mm
F1.80	F1+80	100mm	120mm - 158mm
F1.100	F1+100	115mm	140mm - 178mm
F1.115	F1+115	135mm	155mm - 193mm
F1.135	F1+135	150mm	175mm - 213mm
F1.150	F1+150	170mm	190mm - 228mm
F1.170	F1+170	185mm	210mm - 248mm
F1.185	F1+185	200mm	225mm - 263mm
F1.200	F1+200	220mm	240mm - 278mm
F1.220	F1+220	255mm	260mm - 298mm
F1.255	F1+255		295mm - 333mm

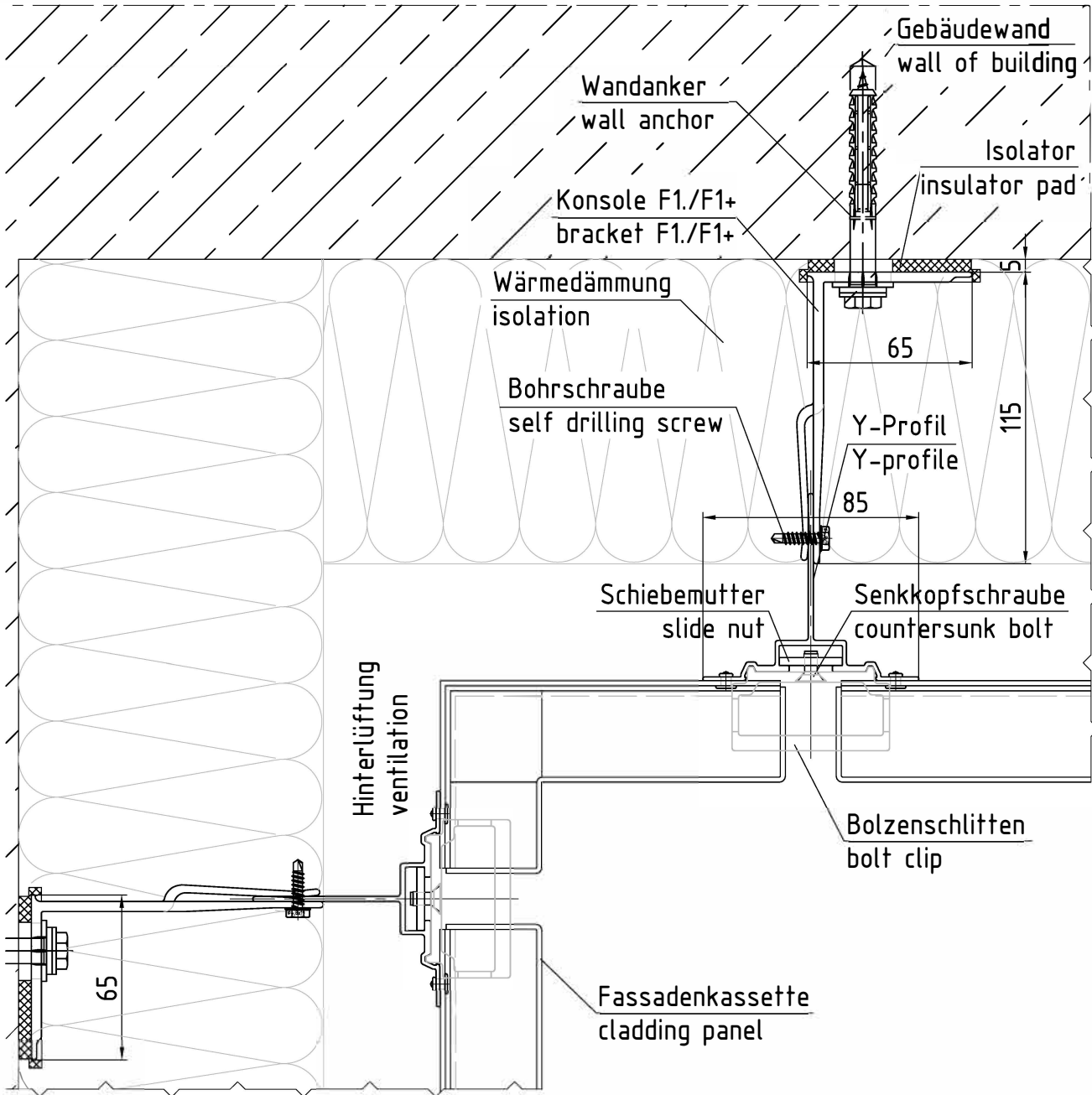




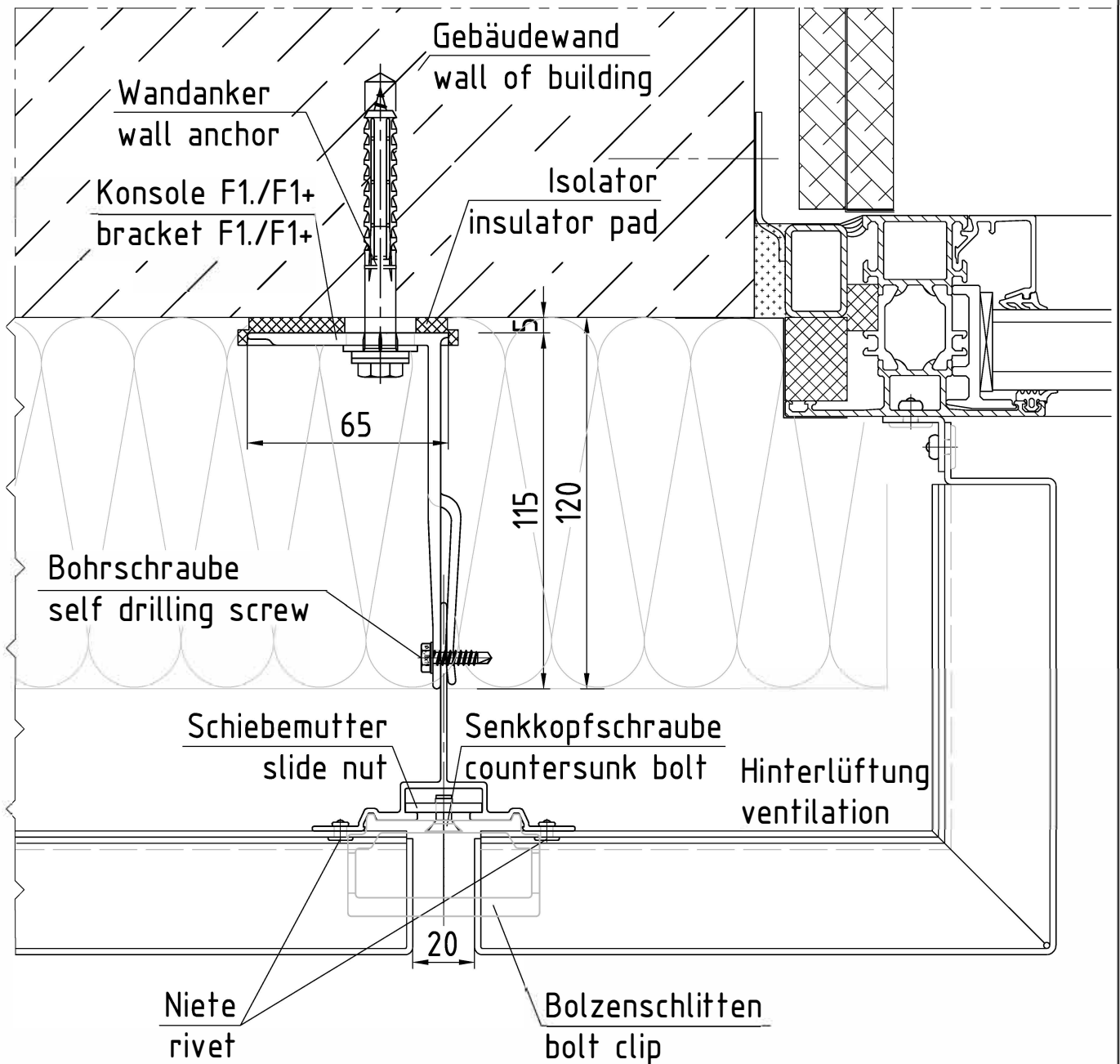
Scale 1:2,5

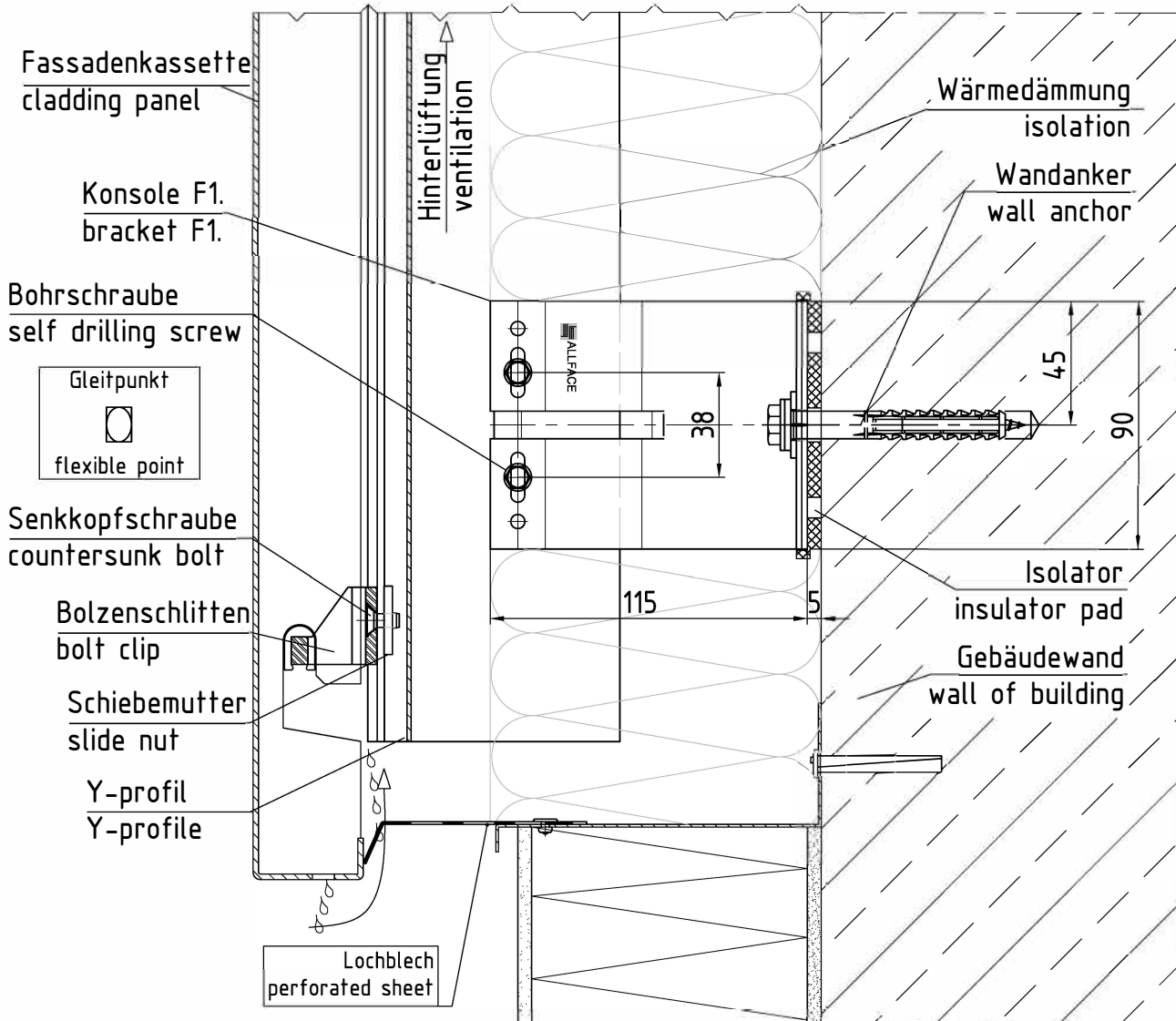


Maßstab/Scale 1:2

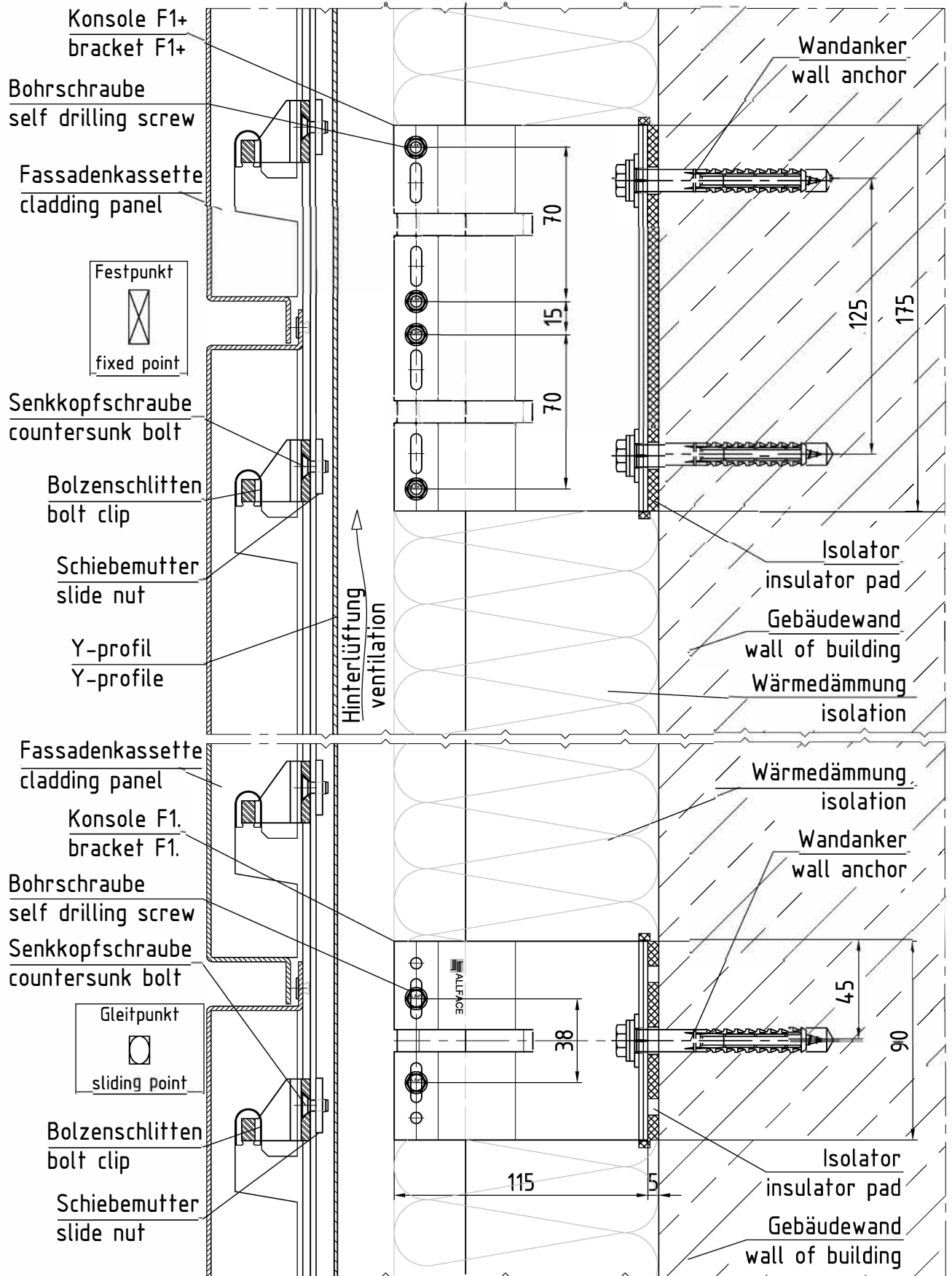


Maßstab/Scale 1:2,5

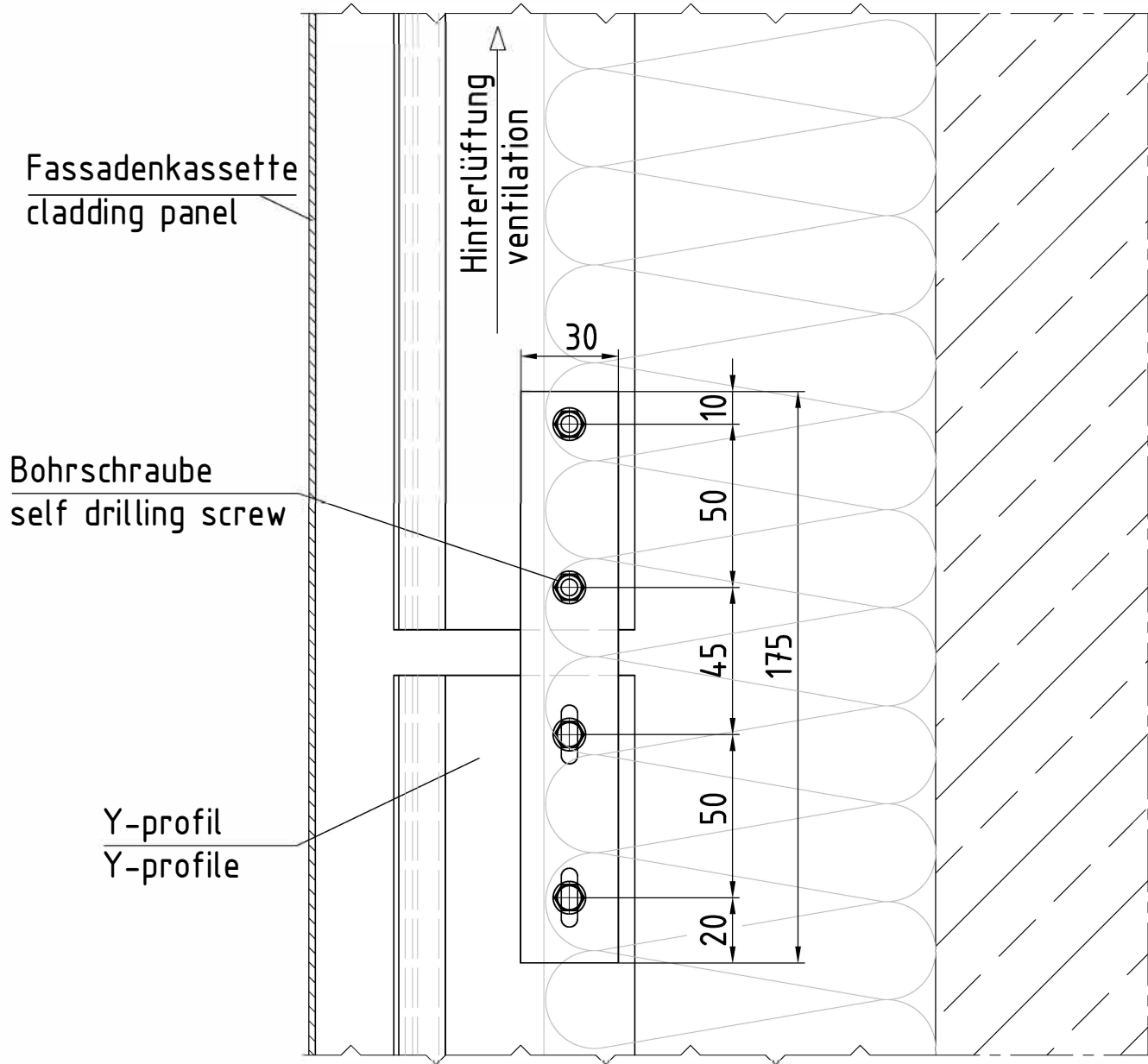




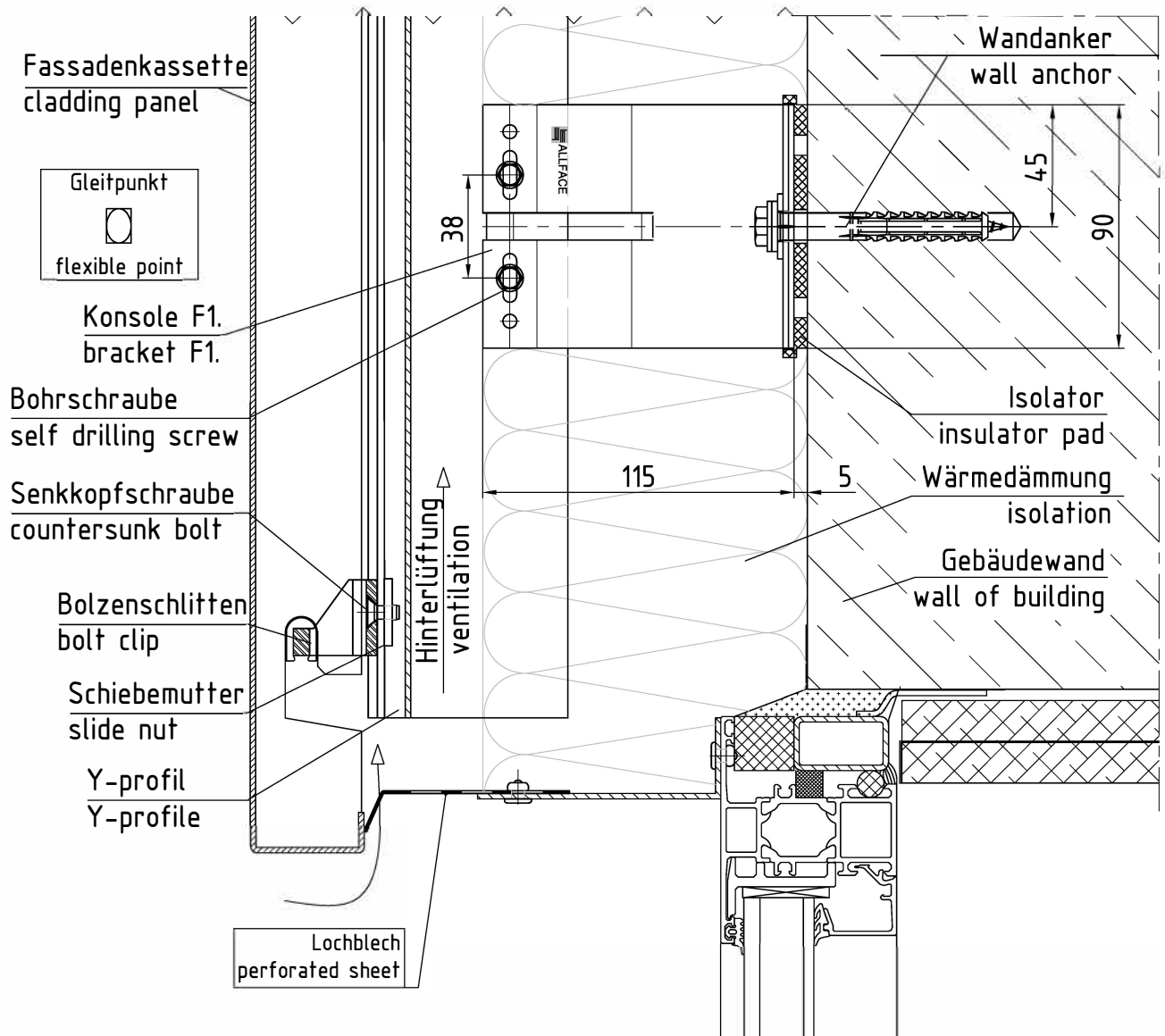
Maßstab/Scale 1:2,5



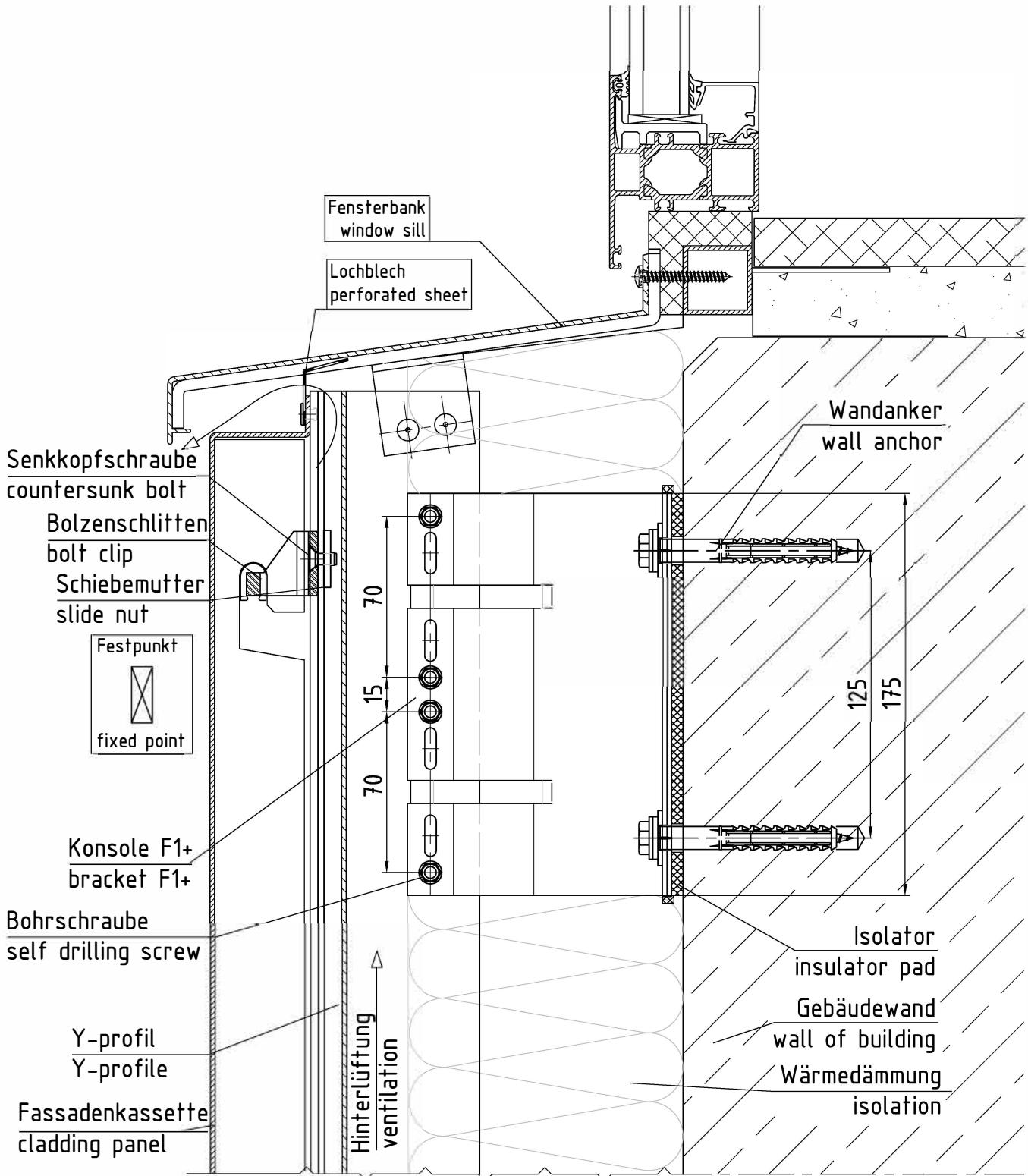
Maßstab/Scale 1:2,5



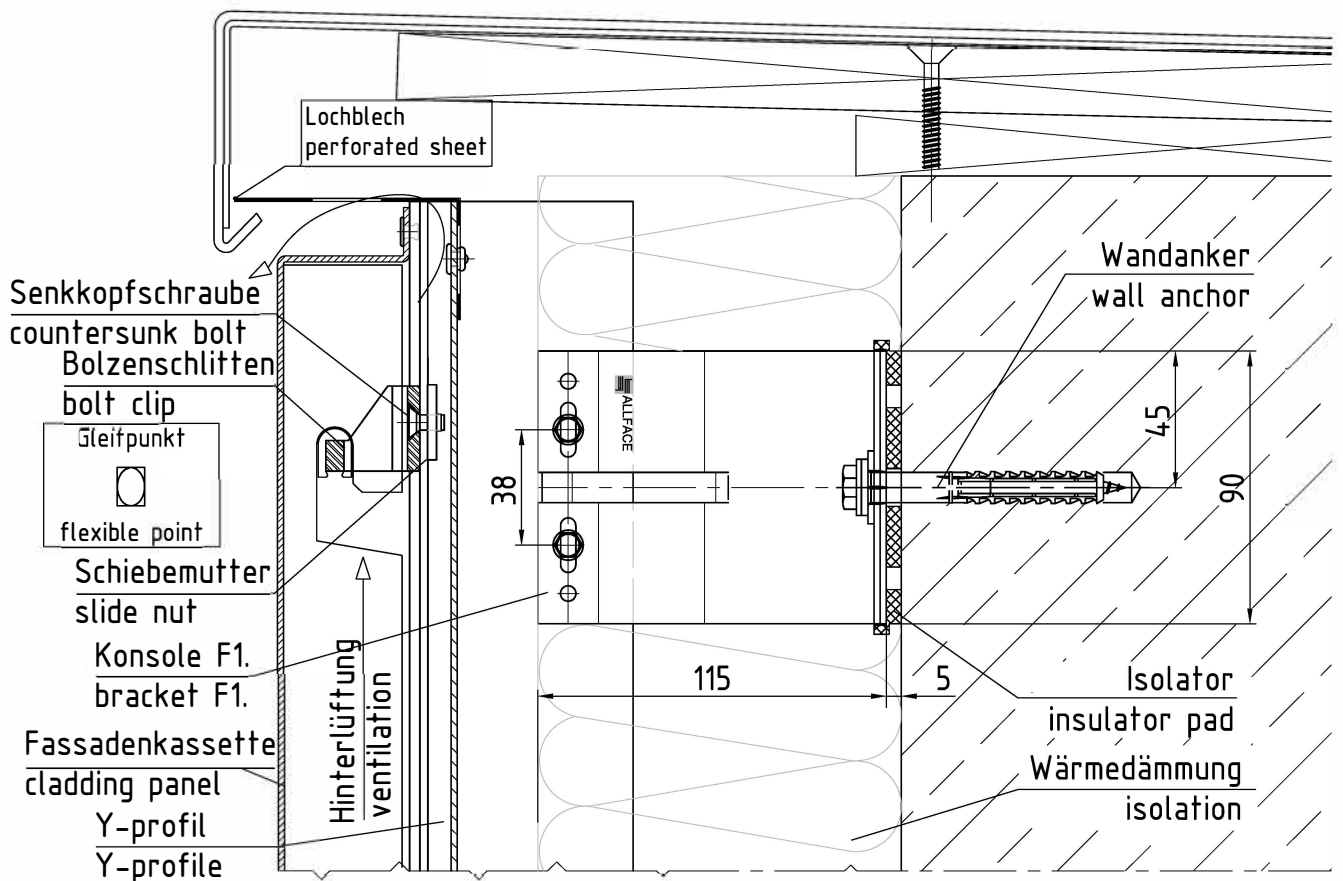
Maßstab/Scale 1:2



Maßstab/Scale 1:2,5



Maßstab/Scale 1:2,5



Maßstab/Scale 1:2,5