

Ventilated facade

EL-CLB-RH

Elemental-Concrete Light Bracket-Rivet HPL

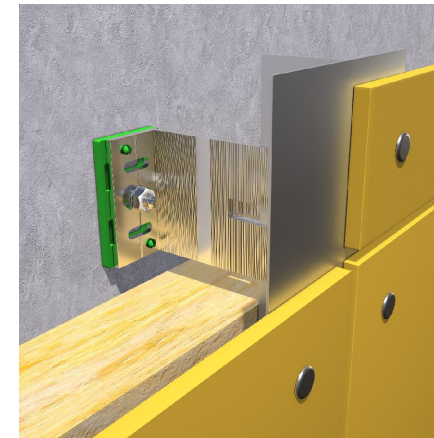
HPL, Kraft paper layers with phenolic resins provide extremely effective weather protection

Face Fix onto 1-layer - Metal substructure

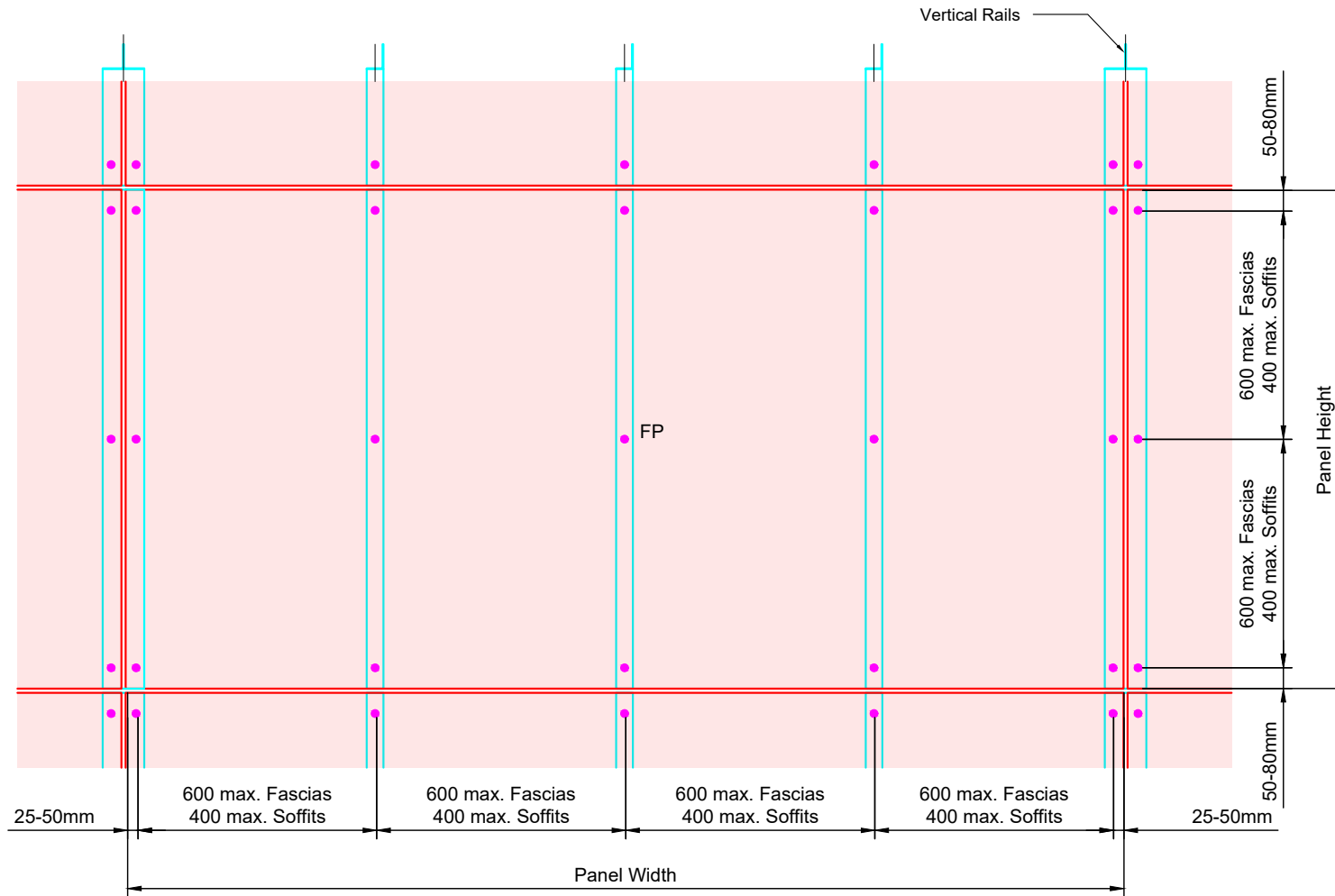
Contents:

EL-CLB-RH01	SYSTEM LAYOUT
EL-CLB-RH02	BRACKET TYPES AVAILABLE
EL-CLB-RH03	SPIDI LIGHT BRACKETS AVAILABLE
EL-CLB-RH04	BASE DETAIL
EL-CLB-RH05	HORIZONTAL PANEL OPEN JOINT DETAIL
EL-CLB-RH06	HORIZONTAL PANEL CLOSED JOINT DETAILS
EL-CLB-RH07	GENERIC PARAPET DETAIL
EL-CLB-RH08	INTERMEDIATE SUPPORT DETAIL
EL-CLB-RH09	VERTICAL PANEL JOINT DETAIL
EL-CLB-RH10	BUILDING STRUCTURAL MOVEMENT JOINT
EL-CLB-RH11	EXTERNAL CORNER DETAIL
EL-CLB-RH12	INTERNAL CORNER DETAIL
EL-CLB-RH13	WINDOW CILL DETAIL
EL-CLB-RH14	WINDOW HEAD DETAIL
EL-CLB-RH15	WINDOW JAMB REVEAL DETAIL

Image for illustration purposes



These drawings are indicative only, for use as a guide. The customer is always responsible for any specific design, structural calculations and calculating exact sizes & quantities of panels. Any project details and calculations supplied by Elemental Architectural Cladding Specialists are provided in good faith and should always be checked and approved by the project engineer responsible. Elemental Architectural Cladding Specialists will not accept any liability should the system be designed / installed incorrectly.



Face Fixing Guidelines

- Panels should be drilled with one fixed point nearest to the centre of the panel (FP - 4.9mm) and all others as sliding points (SP-9.5mm).
- Holes in the subframe should all be drilled 4.9mm using a centralising tool.
- Rivets specification:
 - **8mm HPL**- Large flange AI or S/S Ø16mm Head 4.8x18mm (grip range 6.0:12.5mm)
 - **10mm HPL** - Large flange AI or S/S Ø16mm Head 4.8x23mm (grip range 11.0:19.5mm)
- **Rivets should always be installed using a Centralising Tool and a Special Nose Piece G3** Thread M10 x 1 16mm head allowing a 0.3mm clearance for stress free mounting of the Rivets.
- **Centres of fixings shown are the absolute maximum. Project wind loads should be checked against load tables in the Petrarch Technical Guide.**

Riven surface also requires the use of Black Rubber Gasket Washer 4.3x1x14 on the rivet.



Elemental Architectural Cladding Specialists
 #29 The Cubes Offices, Beacon South Quarter,
 Sandyford
 Dublin 18, D18 A264
 Phone: +353 (0)1 293 8951
 Email: info@elemental.ie

Drawing Title

**ELEMENTAL HPL - FACE FIX
 SYSTEM LAYOUT**

Drawing No.

EL-CLB-RH01

System:

**EL-Rivet
 HPL**

Size:

A4

Scale:

NTS

Drawn:

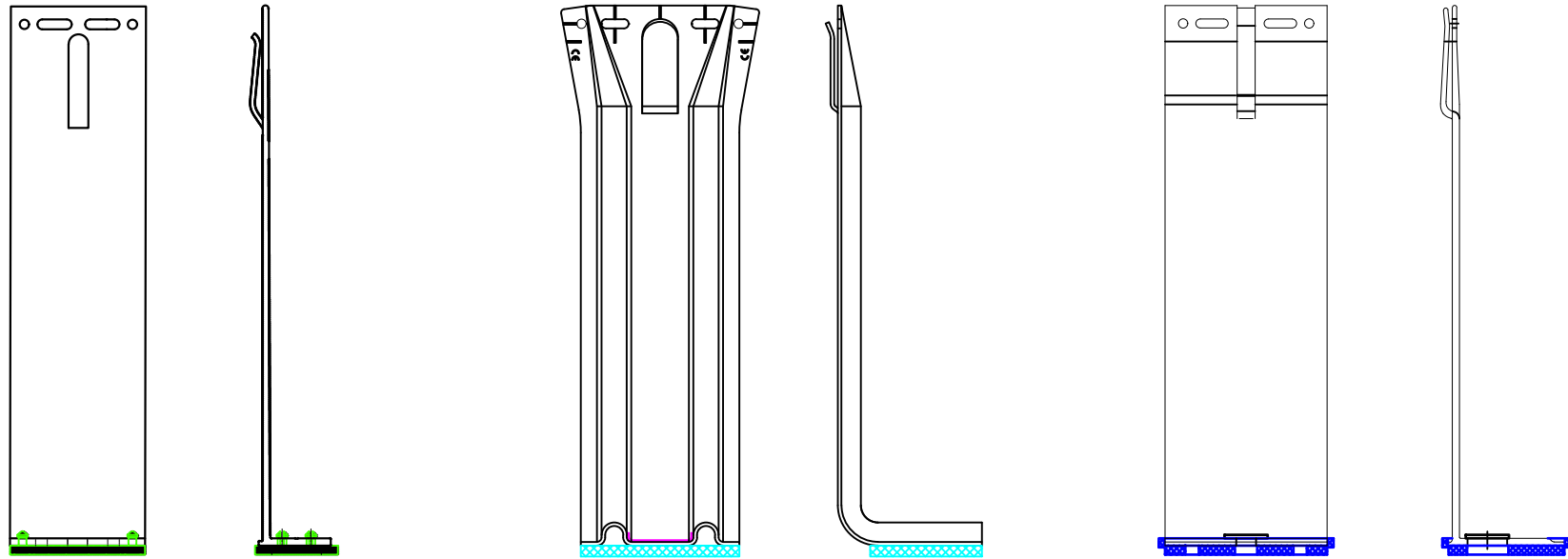
V.C.

Rev.

01

These drawings are indicative only, for use as a guide. The customer is always responsible for any specific design, structural calculations and calculating exact sizes & quantities of panels. Any project details and calculations supplied by Elemental Architectural Cladding Specialists are provided in good faith and should always be checked and approved by the project engineer responsible. Elemental Architectural Cladding Specialists will not accept any liability should the system be designed / installed incorrectly.

BRACKET TYPES AVAILABLE FROM ELEMENTAL



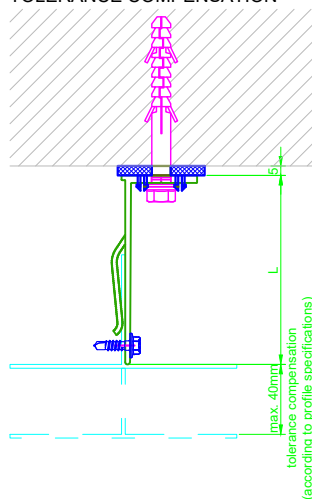
Elemental Architectural Cladding Specialists
 #29 The Cubes Offices, Beacon South Quarter,
 Sandyford
 Dublin 18, D18 A264
 Phone: +353 (0)1 293 8951
 Email: info@elemental.ie

Drawing Title	BRACKET TYPES AVAILABLE										
Drawing No.	EL-CLB-RH02	System:	EL-Rivet HPL	Size:	A4	Scale:	NTS	Drawn:	V.C.	Rev.	01

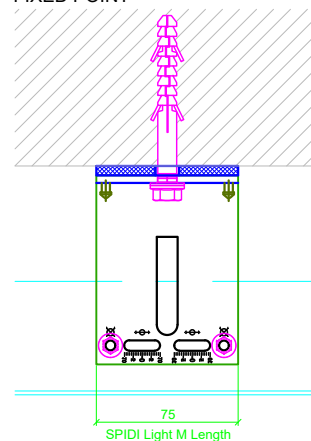
These drawings are indicative only, for use as a guide. The customer is always responsible for any specific design, structural calculations and calculating exact sizes & quantities of panels. Any project details and calculations supplied by Elemental Architectural Cladding Specialists are provided in good faith and should always be checked and approved by the project engineer responsible. Elemental Architectural Cladding Specialists will not accept any liability should the system be designed / installed incorrectly.

SPIDI LIGHT BRACKETS AVAILABLE FROM ELEMENTAL

TOLERANCE COMPENSATION

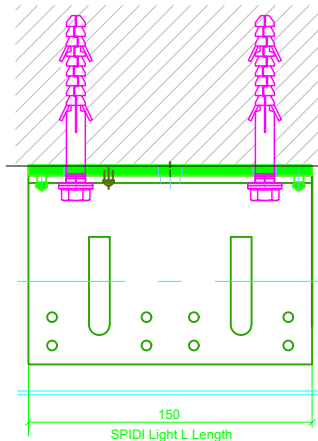


FIXED POINT

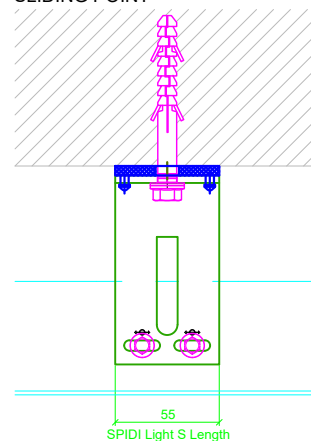
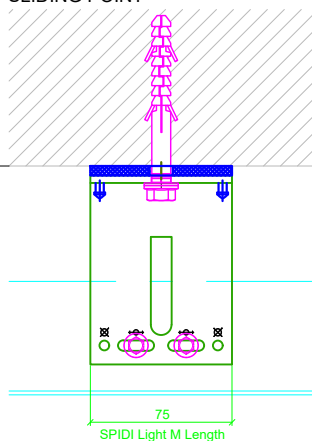


SPIDI Light wall bracket	
description	length L
SPIDI Light M 40	40
SPIDI Light M 60	60
SPIDI Light M 80	80
SPIDI Light M 100	100
SPIDI Light M 120	120
SPIDI Light M 140	140
SPIDI Light M 160	160
SPIDI Light M 180	180
SPIDI Light M 200	200
SPIDI Light M 220	220
SPIDI Light M 240	240
SPIDI Light M 270	270
special length	on request

SLIDING POINT



SLIDING POINT



SPIDI Light wall bracket	
description	length L
SPIDI Light S 40	40
SPIDI Light S 60	60
SPIDI Light S 80	80
SPIDI Light S 100	100
SPIDI Light S 120	120
SPIDI Light S 140	140
SPIDI Light S 160	160
SPIDI Light S 180	180
SPIDI Light S 200	200
SPIDI Light S 220	220
SPIDI Light S 240	240
SPIDI Light S 270	270
special length	on request



elemental
Architectural Cladding Specialists

Elemental Architectural Cladding Specialists

#29 The Cubes Offices, Beacon South Quarter,
Sandyford

Dublin 18, D18 A264
Phone: +353 (0)1 293 8951
Email: info@elemental.ie

Drawing Title

SPIDI LIGHT BRACKETS AVAILABLE

Drawing No.

EL-CLB-RH03

System:

EL-Rivet
HPL

Size:

A4

Scale:

NTS

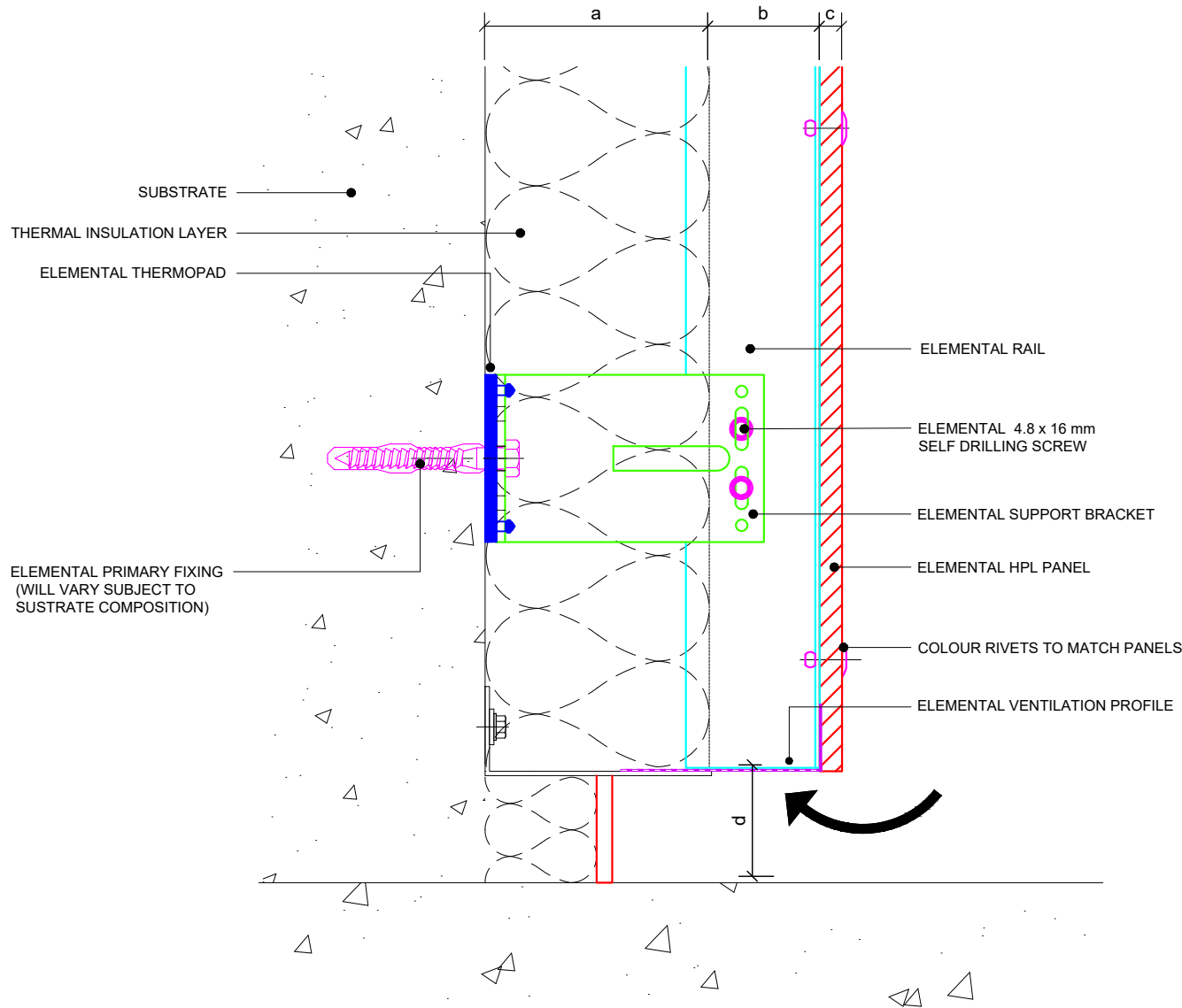
Drawn:

V.C.

Rev.

01

These drawings are indicative only, for use as a guide. The customer is always responsible for any specific design, structural calculations and calculating exact sizes & quantities of panels. Any project details and calculations supplied by Elemental Architectural Cladding Specialists are provided in good faith and should always be checked and approved by the project engineer responsible. Elemental Architectural Cladding Specialists will not accept any liability should the system be designed / installed incorrectly.



Dimensions	
a	Insulation thickness (varies)
b	Free vertical ventilation gap
c	Panel nominal thickness
d	Base distance - Minimum 50mm
a+b	Clad Zone



elemental
Architectural Cladding Specialists

Elemental Architectural Cladding Specialists
#29 The Cubes Offices, Beacon South Quarter,
Sandyford
Dublin 18, D18 A264
Phone: +353 (0)1 293 8951
Email: info@elemental.ie

Drawing Title

**ELEMENTAL HPL - FACE FIX
BASE DETAIL**

Drawing No.

EL-CLB-RH04

System:

**EL-Rivet
HPL**

Size:

A4

Scale:

NTS

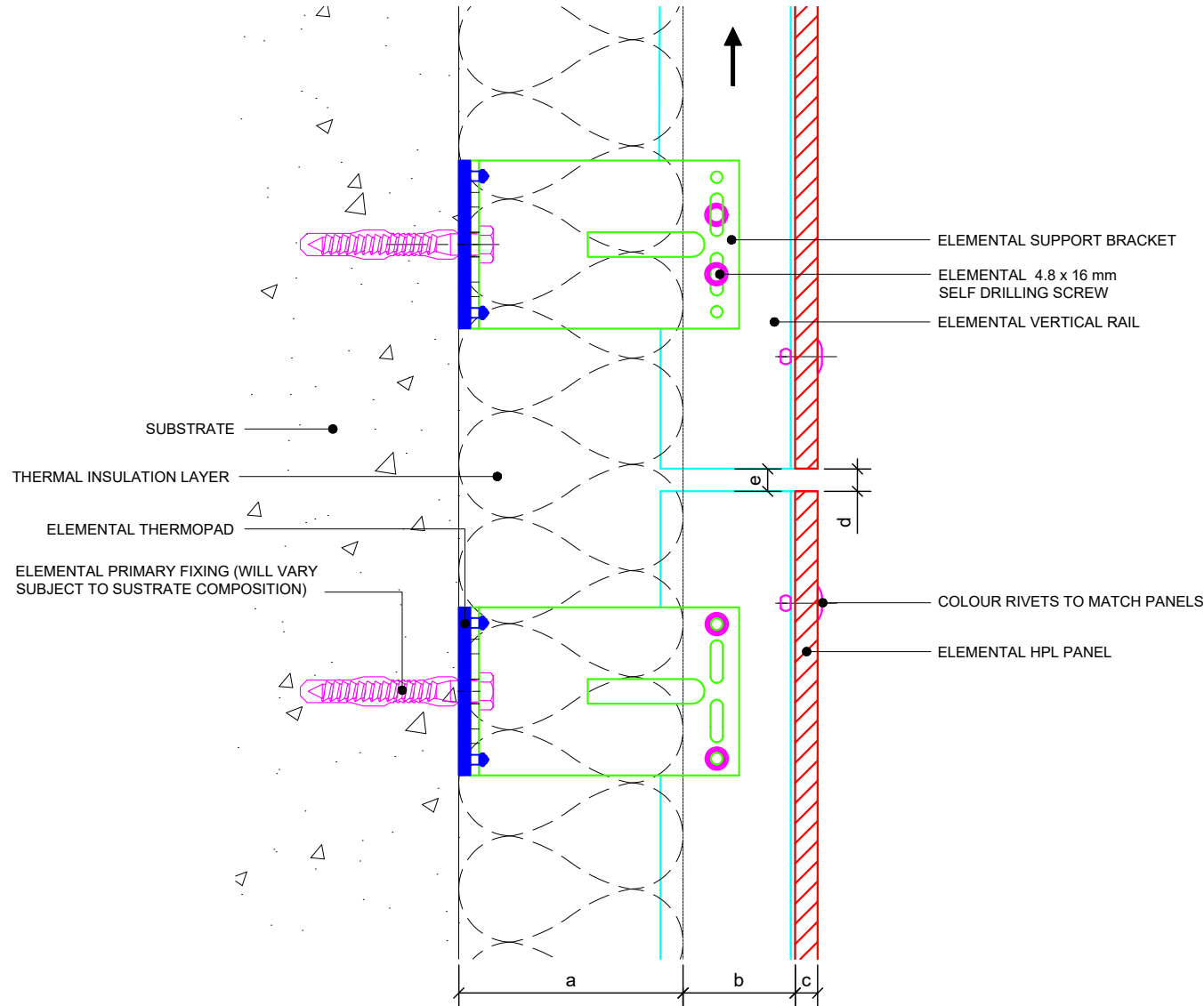
Drawn:

V.C.

Rev.

01

These drawings are indicative only, for use as a guide. The customer is always responsible for any specific design, structural calculations and calculating exact sizes & quantities of panels. Any project details and calculations supplied by Elemental Architectural Cladding Specialists are provided in good faith and should always be checked and approved by the project engineer responsible. Elemental Architectural Cladding Specialists will not accept any liability should the system be designed / installed incorrectly.



Dimensions	
a	Insulation thickness (varies)
b	Free vertical ventilation gap
c	Panel nominal thickness
d	Panel Joint - 10mm
e	Rail Joint - Minimum 10mm (cladding panels should not be fixed to two adjacent vertical rails)
a+b	Clad Zone



Elemental Architectural Cladding Specialists
 #29 The Cubes Offices, Beacon South Quarter,
 Sandyford
 Dublin 18, D18 A264
 Phone: +353 (0)1 293 8951
 Email: info@elemental.ie

Drawing Title

**ELEMENTAL HPL - FACE FIX
 HORIZONTAL PANEL OPEN JOINT DETAIL**

Drawing No.

EL-CLB-RH05

System:

**EL-Rivet
 HPL**

Size:

A4

Scale:

NTS

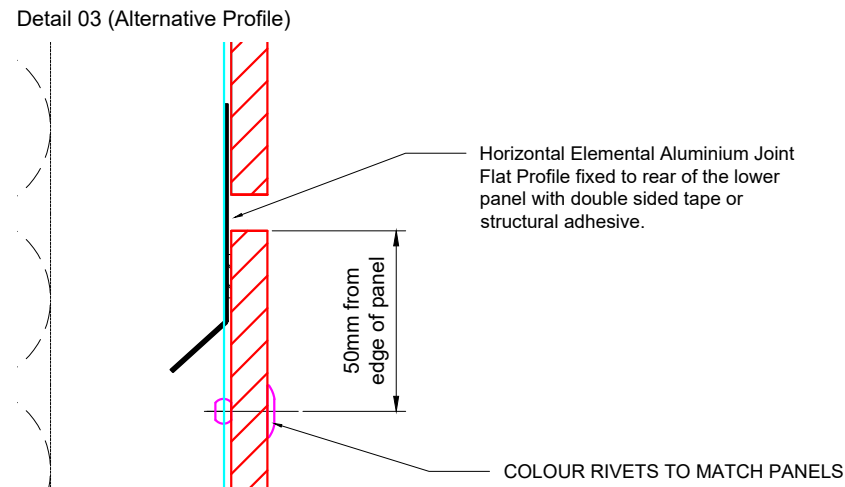
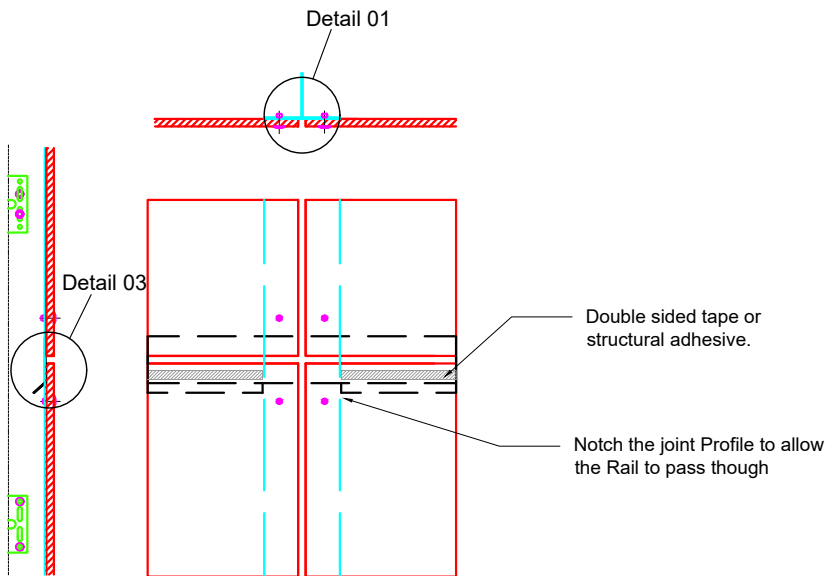
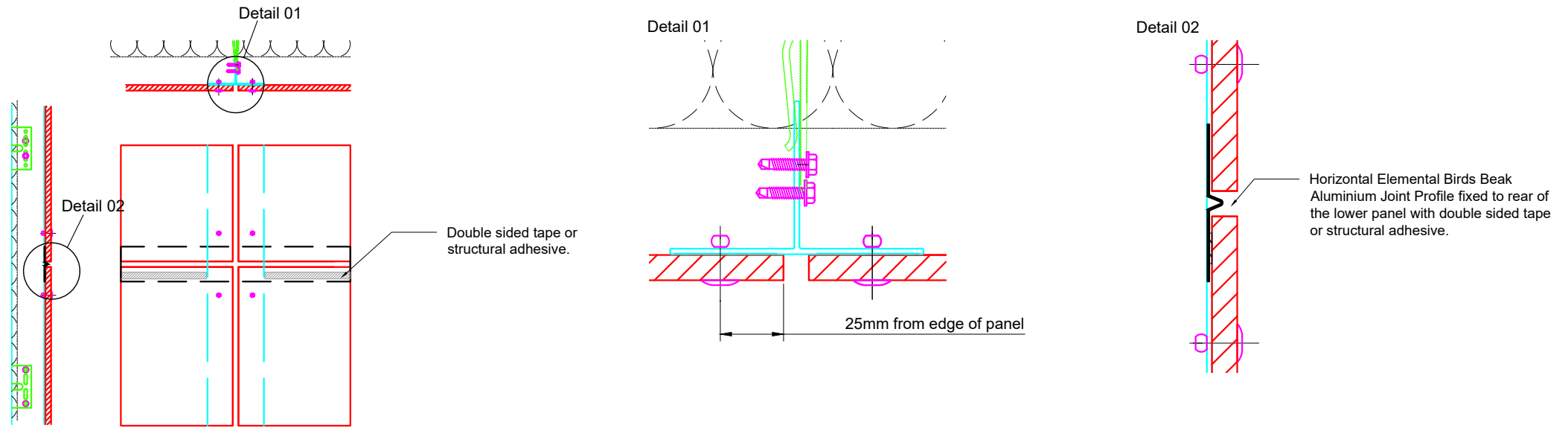
Drawn:

V.C.

Rev.

01

These drawings are indicative only, for use as a guide. The customer is always responsible for any specific design, structural calculations and calculating exact sizes & quantities of panels. Any project details and calculations supplied by Elemental Architectural Cladding Specialists are provided in good faith and should always be checked and approved by the project engineer responsible. Elemental Architectural Cladding Specialists will not accept any liability should the system be designed / installed incorrectly.



Elemental Architectural Cladding Specialists
 #29 The Cubes Offices, Beacon South Quarter,
 Sandyford
 Dublin 18, D18 A264
 Phone: +353 (0)1 293 8951
 Email: info@elemental.ie

Drawing Title

**ELEMENTAL HPL - FACE FIX
 HORIZONTAL PANEL - CLOSED JOINT DETAILS**

Drawing No.

EL-CLB-RH06

System:

**EL-Rivet
 HPL**

Size:

A4

Scale:

NTS

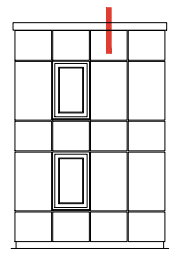
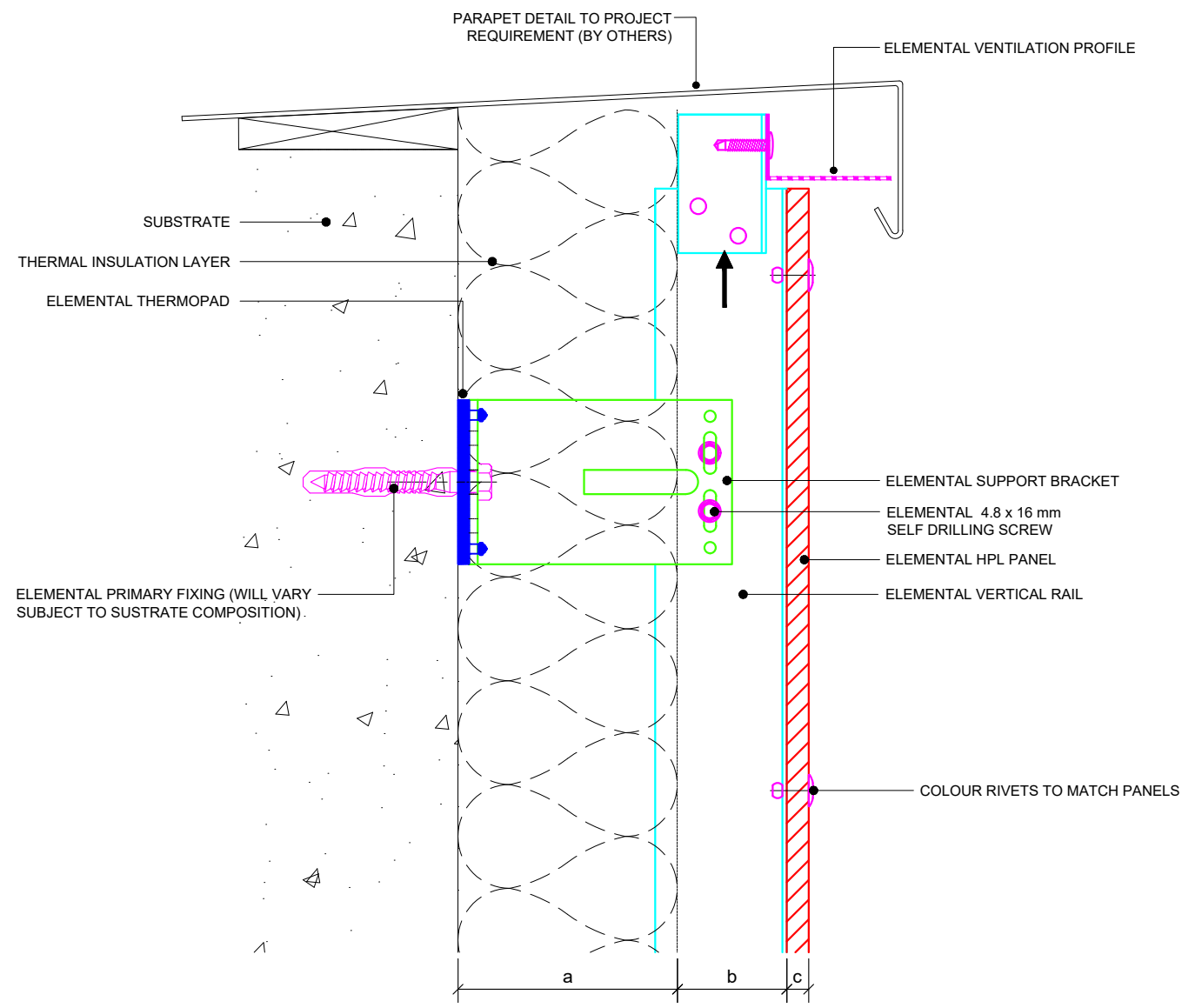
Drawn:

V.C.


Rev.

01

These drawings are indicative only, for use as a guide. The customer is always responsible for any specific design, structural calculations and calculating exact sizes & quantities of panels. Any project details and calculations supplied by Elemental Architectural Cladding Specialists are provided in good faith and should always be checked and approved by the project engineer responsible. Elemental Architectural Cladding Specialists will not accept any liability should the system be designed / installed incorrectly.

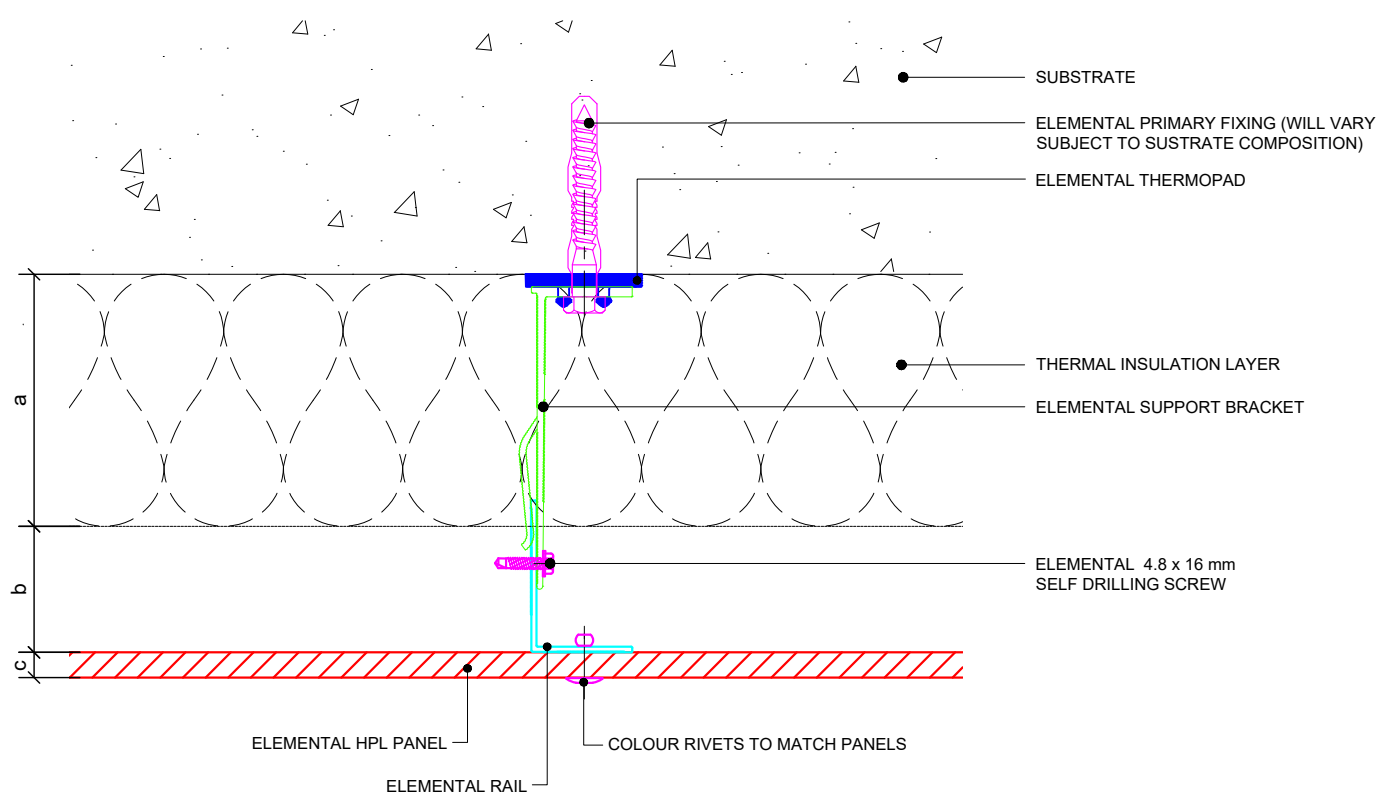


Dimensions	
a	Insulation thickness (varies)
b	Free vertical ventilation gap
c	Panel nominal thickness
a+b	Clad Zone

 <p>Elemental Architectural Cladding Specialists #29 The Cubes Offices, Beacon South Quarter, Sandyford Dublin 18, D18 A264 Phone: +353 (0)1 293 8951 Email: info@elemental.ie</p>	Drawing Title	ELEMENTAL HPL - FACE FIX GENERIC PARAPET DETAIL									
	Drawing No.	EL-CLB-RH07	System:	EL-Rivet HPL	Size:	A4	Scale:	NTS	Drawn:	V.C.	Rev.

Elemental Architectural Cladding Specialists reserve the right to amend details at any time without prior notice. Reproduction or disclosure to third parties is strictly prohibited and can only be attained through signed, written consent from Elemental ACS.

These drawings are indicative only, for use as a guide. The customer is always responsible for any specific design, structural calculations and calculating exact sizes & quantities of panels. Any project details and calculations supplied by Elemental Architectural Cladding Specialists are provided in good faith and should always be checked and approved by the project engineer responsible. Elemental Architectural Cladding Specialists will not accept any liability should the system be designed / installed incorrectly.



Dimensions	
a	Insulation thickness (varies)
b	Free vertical ventilation gap
c	Panel nominal thickness
a+b	Clad Zone



Elemental Architectural Cladding Specialists
 #29 The Cubes Offices, Beacon South Quarter,
 Sandyford
 Dublin 18, D18 A264
 Phone: +353 (0)1 293 8951
 Email: info@elemental.ie

Drawing Title

**ELEMENTAL HPL - FACE FIX
 INTERMEDIATE SUPPORT DETAIL**

Drawing No.

EL-CLB-RH08

System:

**EL-Rivet
 HPL**

Size:

A4

Scale:

NTS

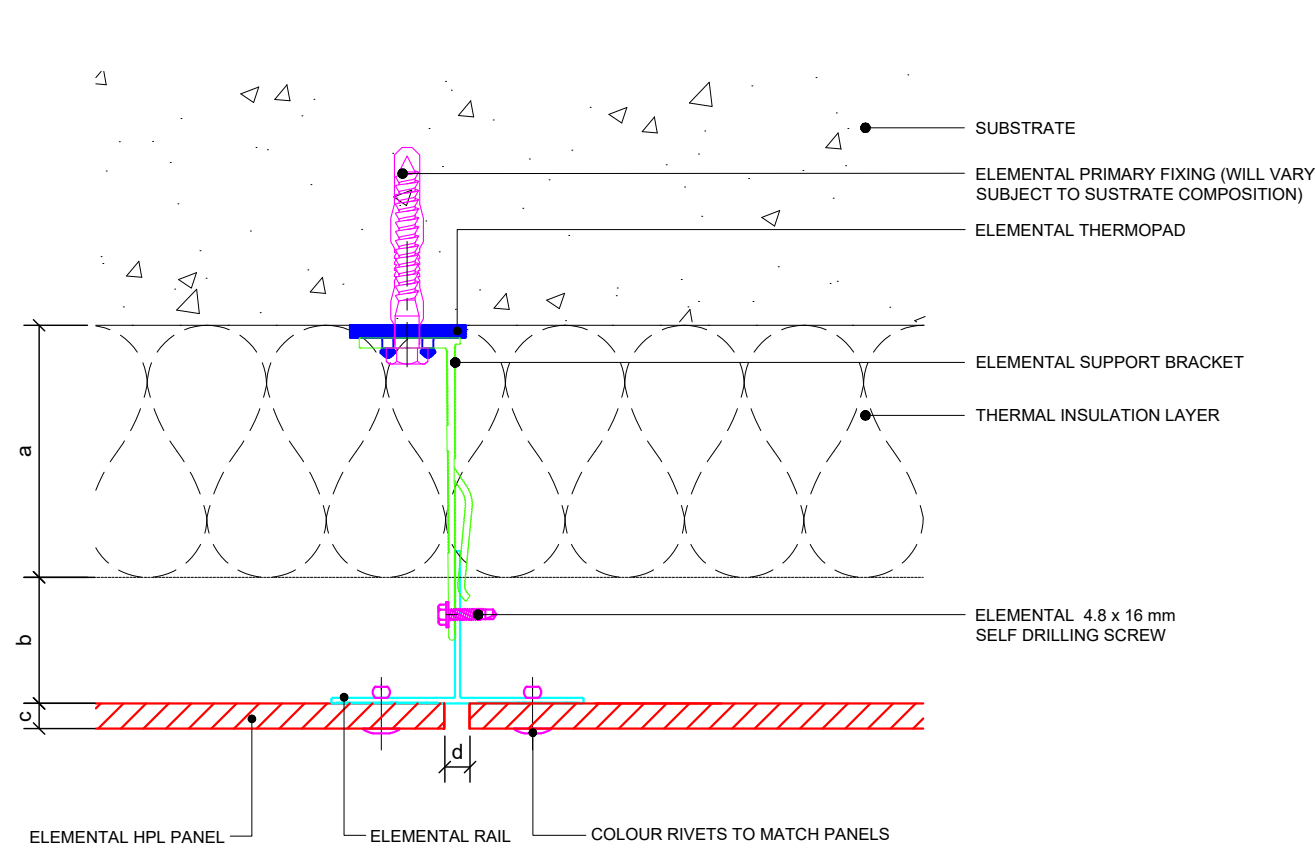
Drawn:

V.C.

Rev.

01

These drawings are indicative only, for use as a guide. The customer is always responsible for any specific design, structural calculations and calculating exact sizes & quantities of panels. Any project details and calculations supplied by Elemental Architectural Cladding Specialists are provided in good faith and should always be checked and approved by the project engineer responsible. Elemental Architectural Cladding Specialists will not accept any liability should the system be designed / installed incorrectly.



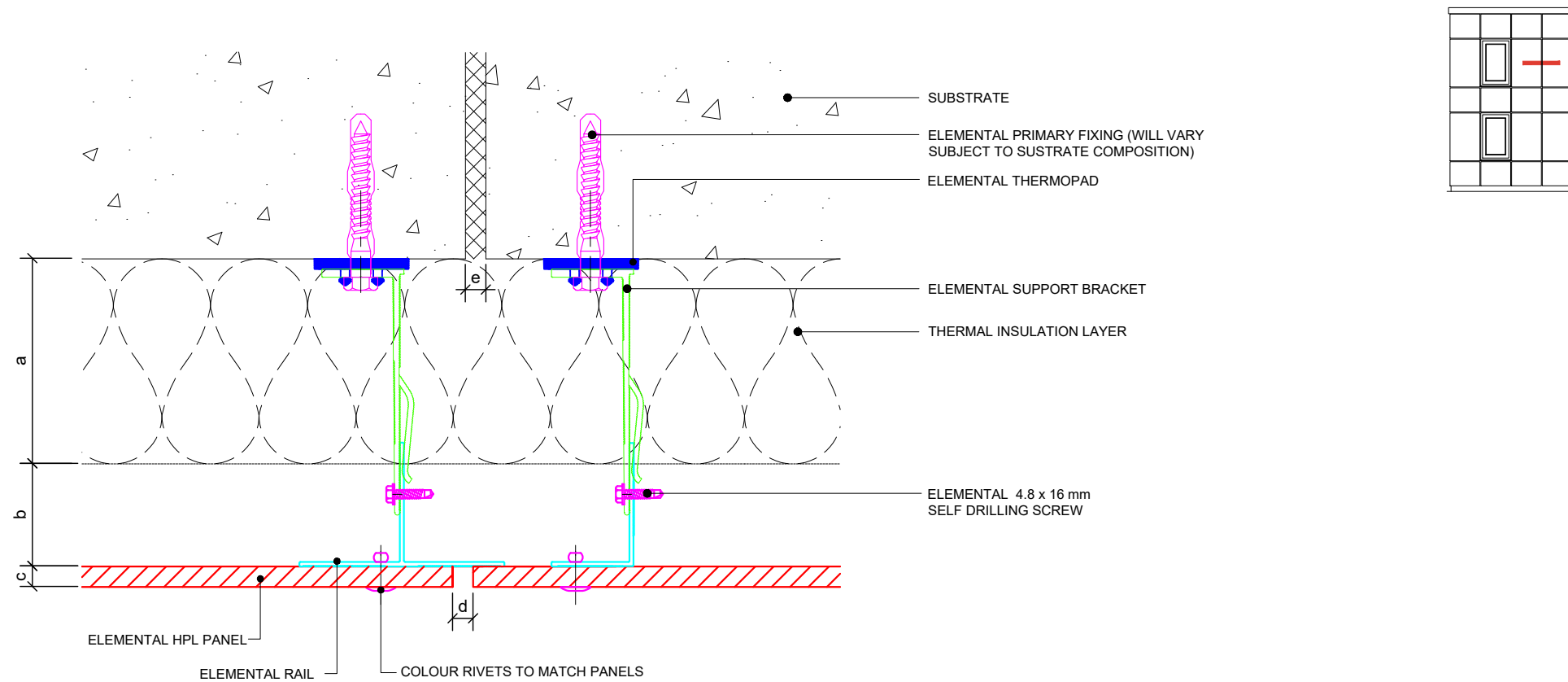
Dimensions	
a	Insulation thickness (varies)
b	Free vertical ventilation gap
c	Panel nominal thickness
d	Panel Joint - 10mm
a+b	Clad Zone



Elemental Architectural Cladding Specialists
 #29 The Cubes Offices, Beacon South Quarter,
 Sandyford
 Dublin 18, D18 A264
 Phone: +353 (0)1 293 8951
 Email: info@elemental.ie

Drawing Title	ELEMENTAL HPL - FACE FIX VERTICAL PANEL JOINT DETAIL										
Drawing No.	EL-CLB-RH09	System:	EL-Rivet HPL	Size:	A4	Scale:	NTS	Drawn:	V.C.	Rev.	01

These drawings are indicative only, for use as a guide. The customer is always responsible for any specific design, structural calculations and calculating exact sizes & quantities of panels. Any project details and calculations supplied by Elemental Architectural Cladding Specialists are provided in good faith and should always be checked and approved by the project engineer responsible. Elemental Architectural Cladding Specialists will not accept any liability should the system be designed / installed incorrectly.



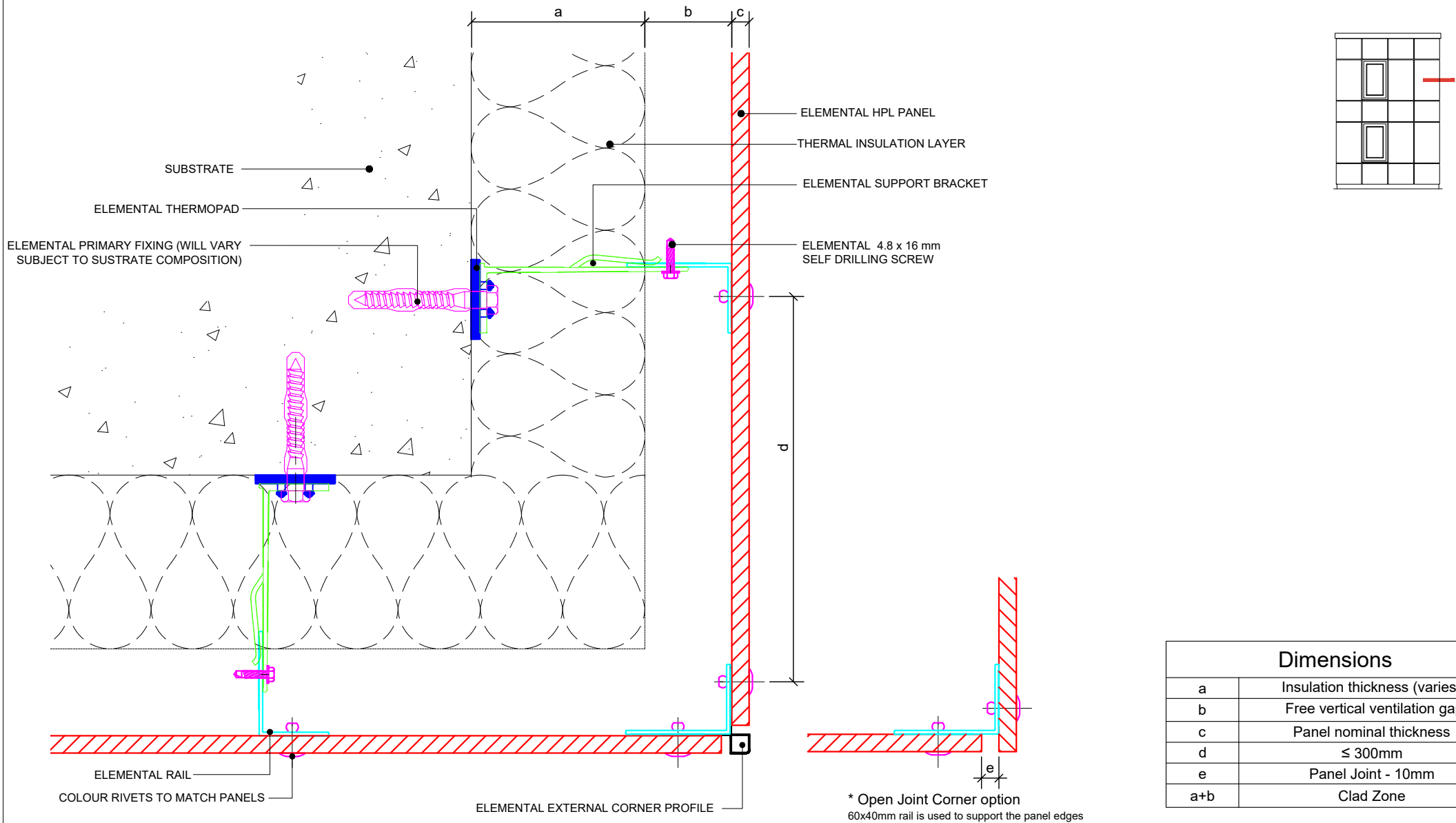
Dimensions	
a	Insulation thickness (varies)
b	Free vertical ventilation gap
c	Panel nominal thickness
d	Panel Joint - 10mm / to match building movement joint
e	Building Structural Movement Joint
a+b	Clad Zone



Elemental Architectural Cladding Specialists
 #29 The Cubes Offices, Beacon South Quarter,
 Sandyford
 Dublin 18, D18 A264
 Phone: +353 (0)1 293 8951
 Email: info@elemental.ie

Drawing Title	ELEMENTAL HPL - FACE FIX BUILDING STRUCTURAL MOVEMENT JOINT										
Drawing No.	EL-CLB-RH10	System:	EL-Rivet HPL	Size:	A4	Scale:	NTS	Drawn:	V.C.	Rev.	01

These drawings are indicative only, for use as a guide. The customer is always responsible for any specific design, structural calculations and calculating exact sizes & quantities of panels. Any project details and calculations supplied by Elemental Architectural Cladding Specialists are provided in good faith and should always be checked and approved by the project engineer responsible. Elemental Architectural Cladding Specialists will not accept any liability should the system be designed / installed incorrectly.



Elemental Architectural Cladding Specialists
 #29 The Cubes Offices, Beacon South Quarter,
 Sandyford
 Dublin 18, D18 A264
 Phone: +353 (0)1 293 8951
 Email: info@elemental.ie

Drawing Title

**ELEMENTAL HPL - FACE FIX
 EXTERNAL CORNER DETAIL**

Drawing No.

EL-CLB-RH11

System:

**EL-Rivet
 HPL**

Size:

A4

Scale:

NTS

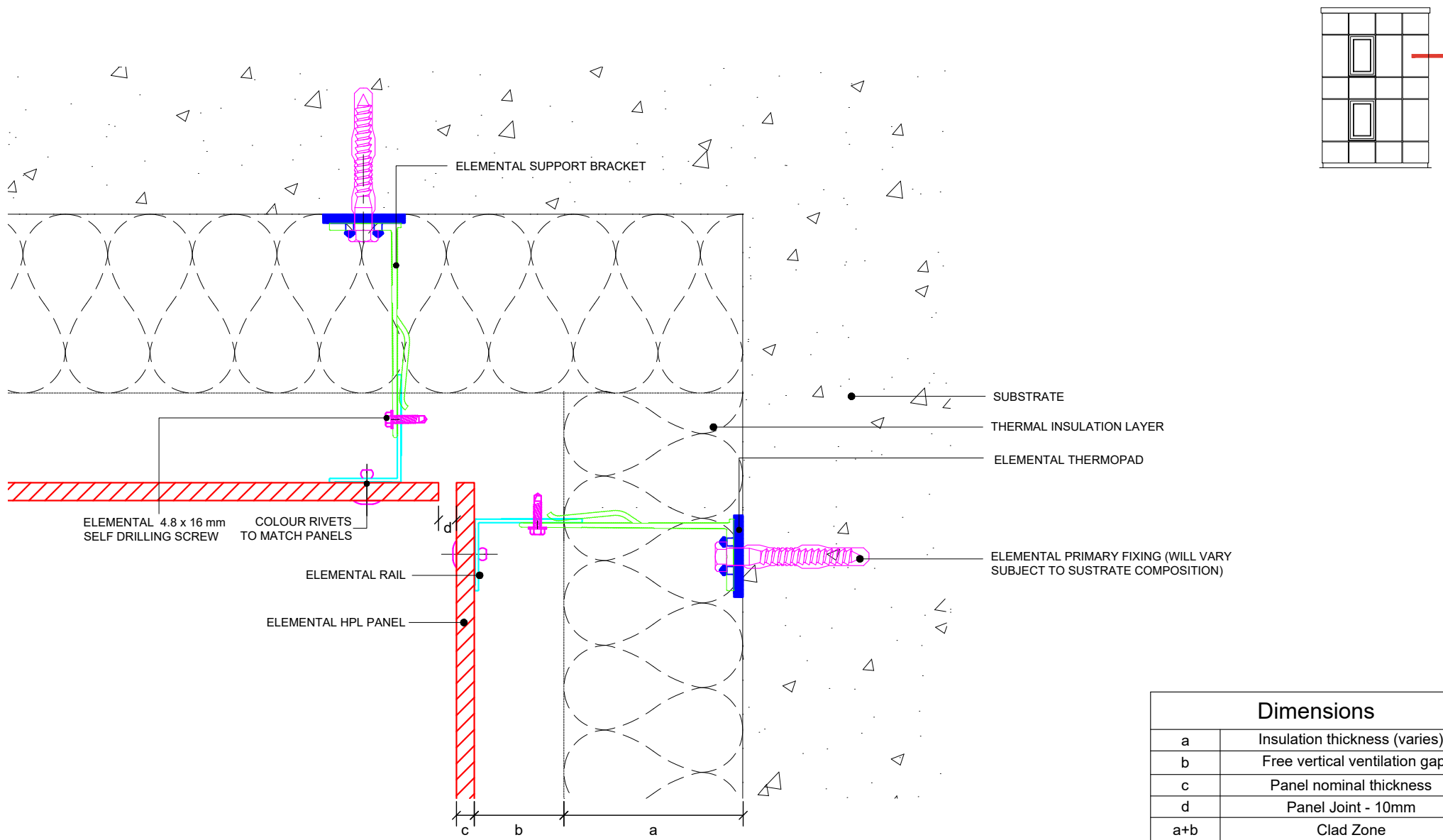
Drawn:

V.C.


Rev.

01

These drawings are indicative only, for use as a guide. The customer is always responsible for any specific design, structural calculations and calculating exact sizes & quantities of panels. Any project details and calculations supplied by Elemental Architectural Cladding Specialists are provided in good faith and should always be checked and approved by the project engineer responsible. Elemental Architectural Cladding Specialists will not accept any liability should the system be designed / installed incorrectly.

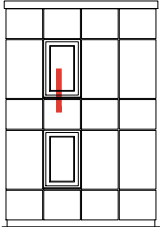
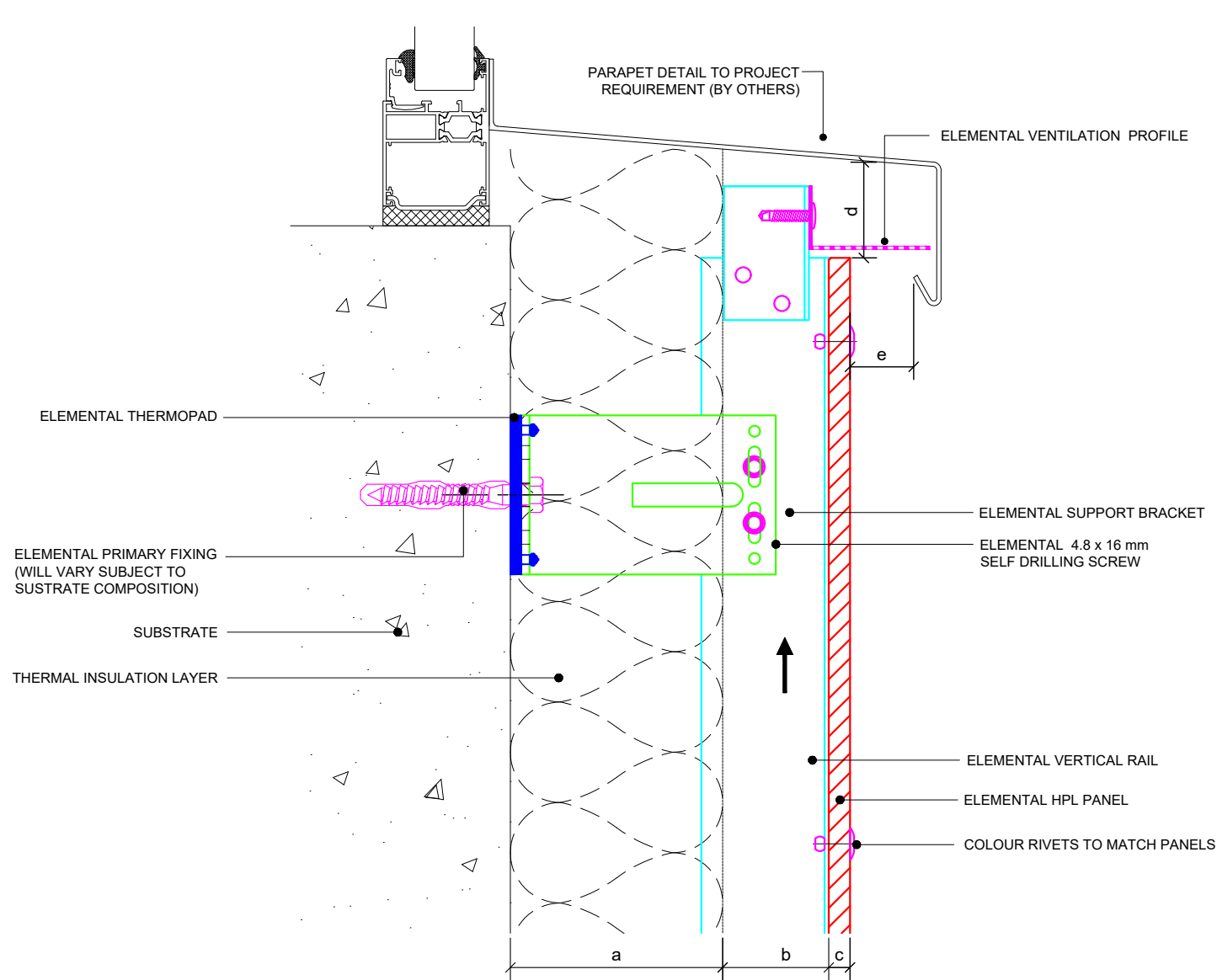


Dimensions	
a	Insulation thickness (varies)
b	Free vertical ventilation gap
c	Panel nominal thickness
d	Panel Joint - 10mm
a+b	Clad Zone

 <p>Elemental Architectural Cladding Specialists #29 The Cubes Offices, Beacon South Quarter, Sandyford Dublin 18, D18 A264 Phone: +353 (0)1 293 8951 Email: info@elemental.ie</p>	Drawing Title		ELEMENTAL HPL - FACE FIX INTERNAL CORNER DETAIL									
	Drawing No.	EL-CLB-RH12	System:	EL-Rivet HPL	Size:	A4	Scale:	NTS	Drawn:	V.C.	Rev.	01

Elemental Architectural Cladding Specialists reserve the right to amend details at any time without prior notice. Reproduction or disclosure to third parties is strictly prohibited and can only be attained through signed, written consent from Elemental ACS.

These drawings are indicative only, for use as a guide. The customer is always responsible for any specific design, structural calculations and calculating exact sizes & quantities of panels. Any project details and calculations supplied by Elemental Architectural Cladding Specialists are provided in good faith and should always be checked and approved by the project engineer responsible. Elemental Architectural Cladding Specialists will not accept any liability should the system be designed / installed incorrectly.



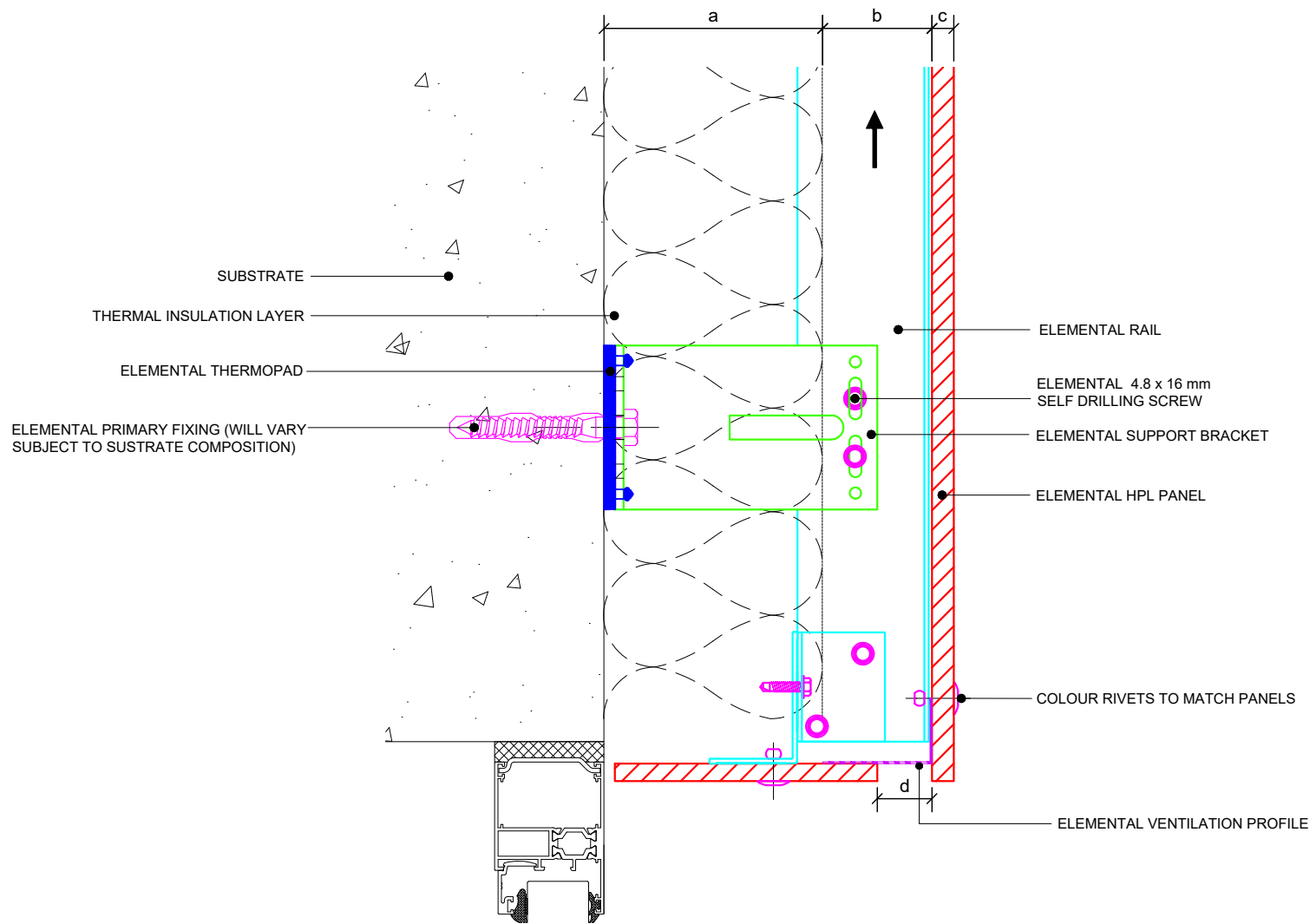
Dimensions	
a	Insulation thickness (varies)
b	Free vertical ventilation gap
c	Panel nominal thickness
d	Ventilation inlet / outlet gaps
e	≥ 40mm
a+b	Clad Zone




Elemental Architectural Cladding Specialists
 #29 The Cubes Offices, Beacon South Quarter,
 Sandyford
 Dublin 18, D18 A264
 Phone: +353 (0)1 293 8951
 Email: info@elemental.ie

Drawing Title		ELEMENTAL HPL - FACE FIX WINDOW CILL DETAIL									
Drawing No.	EL-CLB-RH13	System:	EL-Rivet HPL	Size:	A4	Scale:	NTS	Drawn:	V.C.	Rev.	01

These drawings are indicative only, for use as a guide. The customer is always responsible for any specific design, structural calculations and calculating exact sizes & quantities of panels. Any project details and calculations supplied by Elemental Architectural Cladding Specialists are provided in good faith and should always be checked and approved by the project engineer responsible. Elemental Architectural Cladding Specialists will not accept any liability should the system be designed / installed incorrectly.



Dimensions	
a	Insulation thickness (varies)
b	Free vertical ventilation gap
c	Panel nominal thickness
d	Ventilation inlet / outlet gaps
a+b	Clad Zone

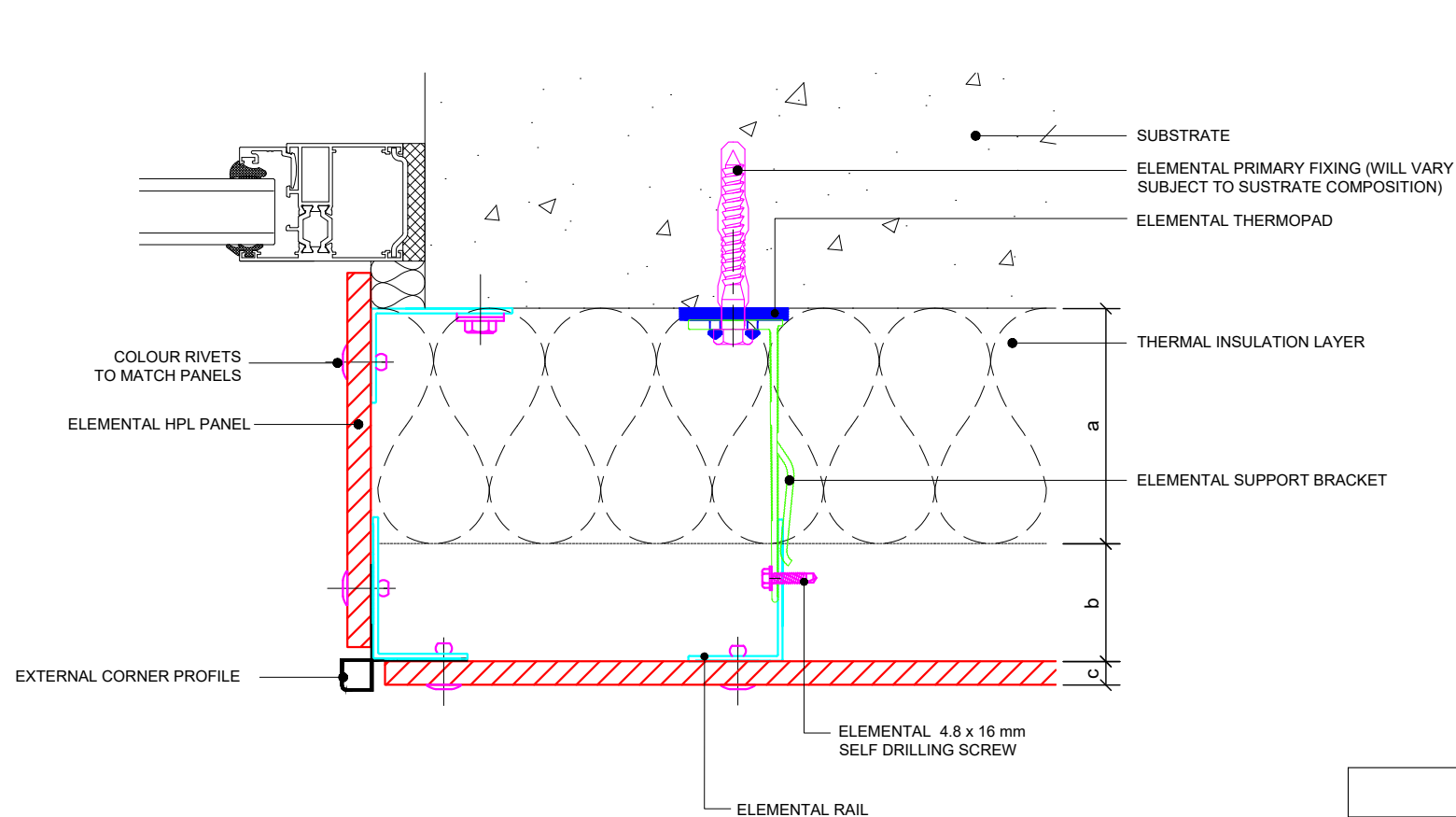


Elemental Architectural Cladding Specialists
 #29 The Cubes Offices, Beacon South Quarter,
 Sandyford
 Dublin 18, D18 A264
 Phone: +353 (0)1 293 8951
 Email: info@elemental.ie

Drawing Title		ELEMENTAL HPL - FACE FIX WINDOW HEAD DETAIL									
Drawing No.	EL-CLB-RH14	System:	EL-Rivet HPL	Size:	A4	Scale:	NTS	Drawn:	V.C.	Rev.	01

Elemental Architectural Cladding Specialists reserve the right to amend details at any time without prior notice. Reproduction or disclosure to third parties is strictly prohibited and can only be attained through signed, written consent from Elemental ACS.

These drawings are indicative only, for use as a guide. The customer is always responsible for any specific design, structural calculations and calculating exact sizes & quantities of panels. Any project details and calculations supplied by Elemental Architectural Cladding Specialists are provided in good faith and should always be checked and approved by the project engineer responsible. Elemental Architectural Cladding Specialists will not accept any liability should the system be designed / installed incorrectly.



Dimensions	
a	Insulation thickness (varies)
b	Free vertical ventilation gap
c	Panel nominal thickness
a+b	Clad Zone



Elemental Architectural Cladding Specialists
 #29 The Cubes Offices, Beacon South Quarter,
 Sandyford
 Dublin 18, D18 A264
 Phone: +353 (0)1 293 8951
 Email: info@elemental.ie

Drawing Title

**ELEMENTAL HPL - FACE FIX
 WINDOW JAMB REVEAL DETAIL**

Drawing No.

EL-CLB-RH15

System:

**EL-Rivet
 HPL**

Size:

A4

Scale:

NTS

Drawn:

V.C.

Rev.

01