

Facade System

Ventilated facade

EL-CLB-MH

Elemental-Concrete Light Bracket-MSF HPL

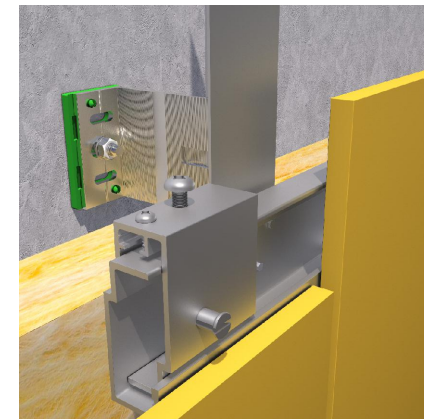
Contents:

EL-CLB-MH01	SYSTEM LAYOUT
EL-CLB-MH02	BRACKET TYPES AVAILABLE
EL-CLB-MH03	SPIDI LIGHT BRACKETS AVAILABLE
EL-CLB-MH04	BASE DETAIL
EL-CLB-MH05	HORIZONTAL PANEL JOINT DETAIL
EL-CLB-MH06	RAIL SUPPORT AND HORIZONTAL PANEL JOINT
EL-CLB-MH07	RAIL SUPPORT AND JOINT DETAILS
EL-CLB-MH08	GENERIC PARAPET DETAILS
EL-CLB-MH09	INTERMEDIATE PANEL SUPPORT DETAIL
EL-CLB-MH10	VERTICAL JOINT DETAIL
EL-CLB-MH11	EXTERNAL CORNER OPTIONS
EL-CLB-MH12	INTERNAL CORNER - OPEN JOINT OPTION
EL-CLB-MH13	WINDOW CILL DETAIL
EL-CLB-MH14	WINDOW HEAD DETAILS
EL-CLB-MH15	WINDOW JAMB REVEAL DETAILS
EL-CLB-MH16	PANEL HANGERS
EL-CLB-MH17	SITE ASSEMBLED & MSF CORNER GUIDELINES

HPL, Kraft paper layers with phenolic resins provide extremely effective weather protection

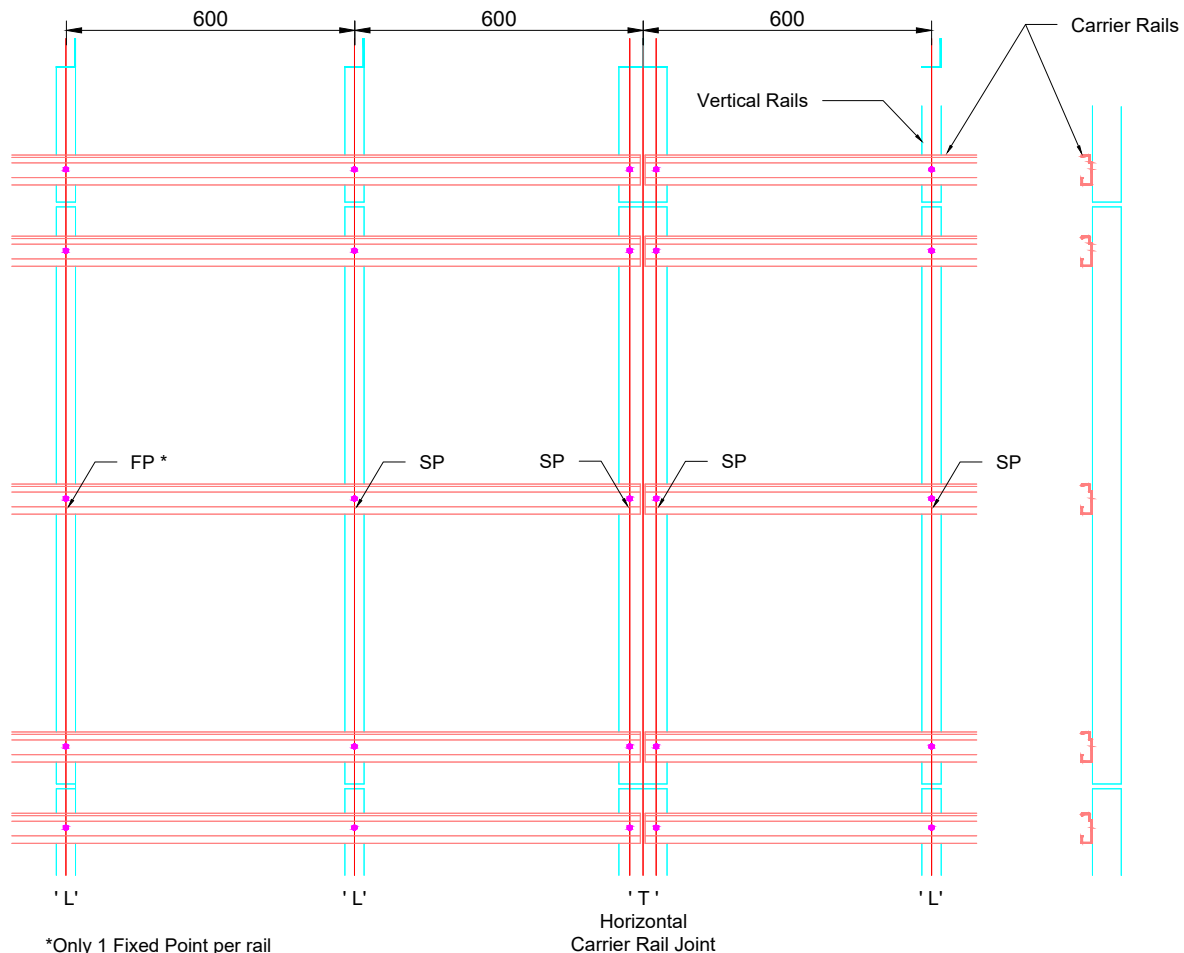
Face Fix onto 2 layers - Metal substructure

Image for illustration purposes



These drawings are indicative only, for use as a guide. The customer is always responsible for any specific design, structural calculations and calculating exact sizes & quantities of panels. Any project details and calculations supplied by Elemental Architectural Cladding Specialists are provided in good faith and should always be checked and approved by the project engineer responsible. Elemental Architectural Cladding Specialists will not accept any liability should the system be designed / installed incorrectly.

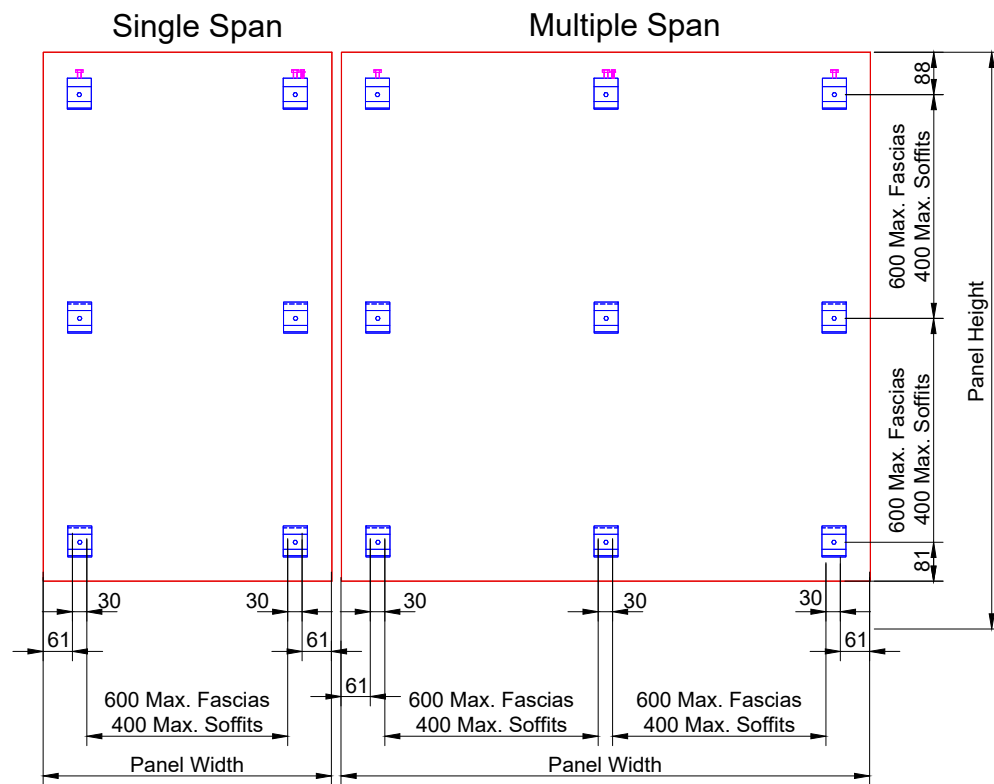
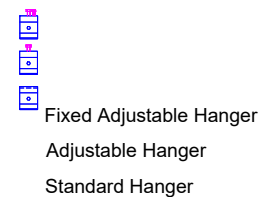
Rail Centres



The fixing procedure for the horizontal carrier rail in max. 3m lengths is as follows:

- fixing HCR to L rail - fixed point (FP)
- fixing HCR ends to T rail - sliding point (SP) - HCR **only** drill holes 10mm

Fixing guidelines



Panels Viewed from Rear



Elemental Architectural Cladding Specialists
 #29 The Cubes Offices, Beacon South Quarter,
 Sandyford
 Dublin 18, D18 A264
 Phone: +353 (0)1 293 8951
 Email: info@elemental.ie

Drawing Title

**ELEMENTAL HPL - MSF
 SYSTEM LAYOUT**

Drawing No.

EL-CLB-MH01

System:

**EL-MSF
 HPL**

Size:

A4

Scale:

NTS

Drawn:

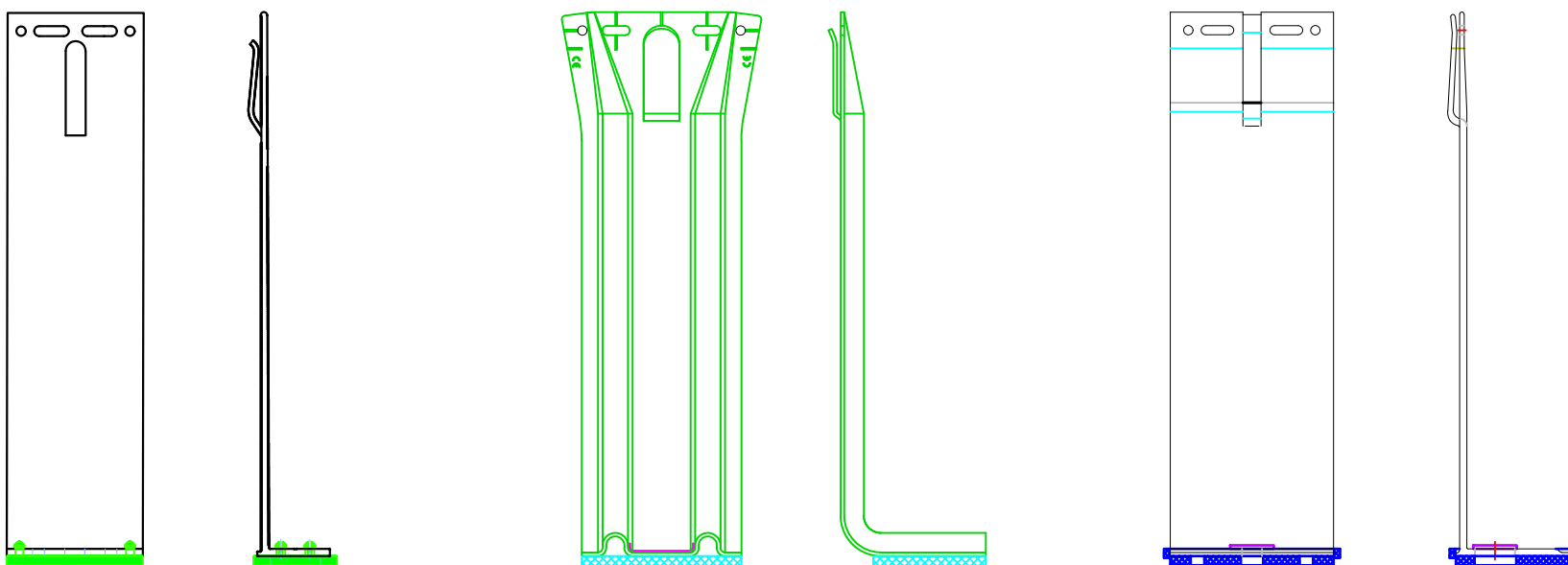
V.C.

Rev.

01

These drawings are indicative only, for use as a guide. The customer is always responsible for any specific design, structural calculations and calculating exact sizes & quantities of panels. Any project details and calculations supplied by Elemental Architectural Cladding Specialists are provided in good faith and should always be checked and approved by the project engineer responsible. Elemental Architectural Cladding Specialists will not accept any liability should the system be designed / installed incorrectly.

BRACKET TYPES AVAILABLE FROM ELEMENTAL



Elemental Architectural Cladding Specialists
 #29 The Cubes Offices, Beacon South Quarter,
 Sandyford
 Dublin 18, D18 A264
 Phone: +353 (0)1 293 8951
 Email: info@elemental.ie

Drawing Title

BRACKET TYPES AVAILABLE

Drawing No.

EL-CLB-MH02

System:

EL-MSF
HPL

Size:

A4

Scale:

NTS

Drawn:

V.C.

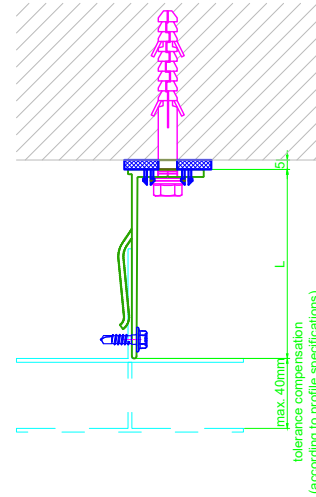
Rev.

01

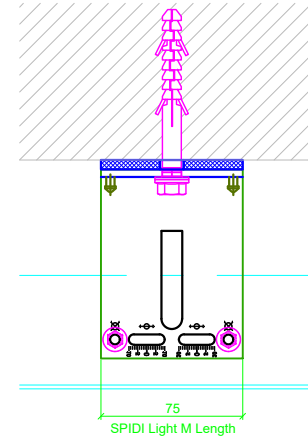
These drawings are indicative only, for use as a guide. The customer is always responsible for any specific design, structural calculations and calculating exact sizes & quantities of panels. Any project details and calculations supplied by Elemental Architectural Cladding Specialists are provided in good faith and should always be checked and approved by the project engineer responsible. Elemental Architectural Cladding Specialists will not accept any liability should the system be designed / installed incorrectly.

SPIDI LIGHT BRACKETS AVAILABLE FROM ELEMENTAL

TOLERANCE COMPENSATION

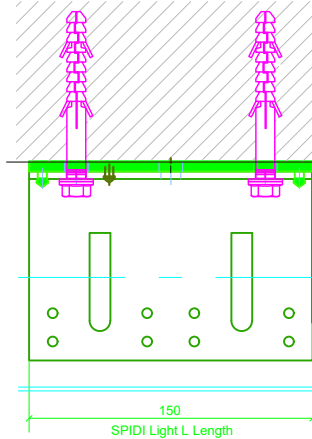


FIXED POINT

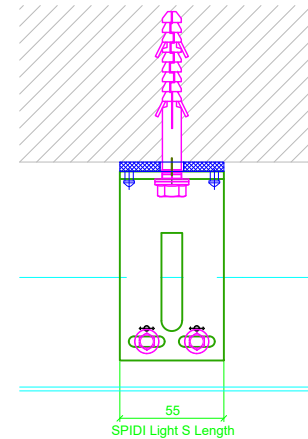
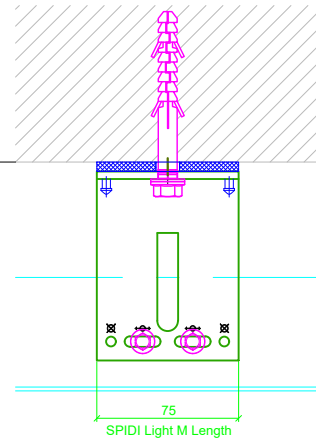


SPIDI Light wall bracket	
description	length L
SPIDI Light M 40	40
SPIDI Light M 60	60
SPIDI Light M 80	80
SPIDI Light M 100	100
SPIDI Light M 120	120
SPIDI Light M 140	140
SPIDI Light M 160	160
SPIDI Light M 180	180
SPIDI Light M 200	200
SPIDI Light M 220	220
SPIDI Light M 240	240
SPIDI Light M 270	270
special length	on request

SLIDING POINT



SLIDING POINT



SPIDI Light wall bracket	
description	length L
SPIDI Light S 40	40
SPIDI Light S 60	60
SPIDI Light S 80	80
SPIDI Light S 100	100
SPIDI Light S 120	120
SPIDI Light S 140	140
SPIDI Light S 160	160
SPIDI Light S 180	180
SPIDI Light S 200	200
SPIDI Light S 220	220
SPIDI Light S 240	240
SPIDI Light S 270	270
special length	on request



Elemental Architectural Cladding Specialists
 #29 The Cubes Offices, Beacon South Quarter,
 Sandyford
 Dublin 18, D18 A264
 Phone: +353 (0)1 293 8951
 Email: info@elemental.ie

Drawing Title

SPIDI LIGHT BRACKETS AVAILABLE

Drawing No.

EL-CLB-MH03

System:

EL-MSF
HPL

Size:

A4

Scale:

NTS

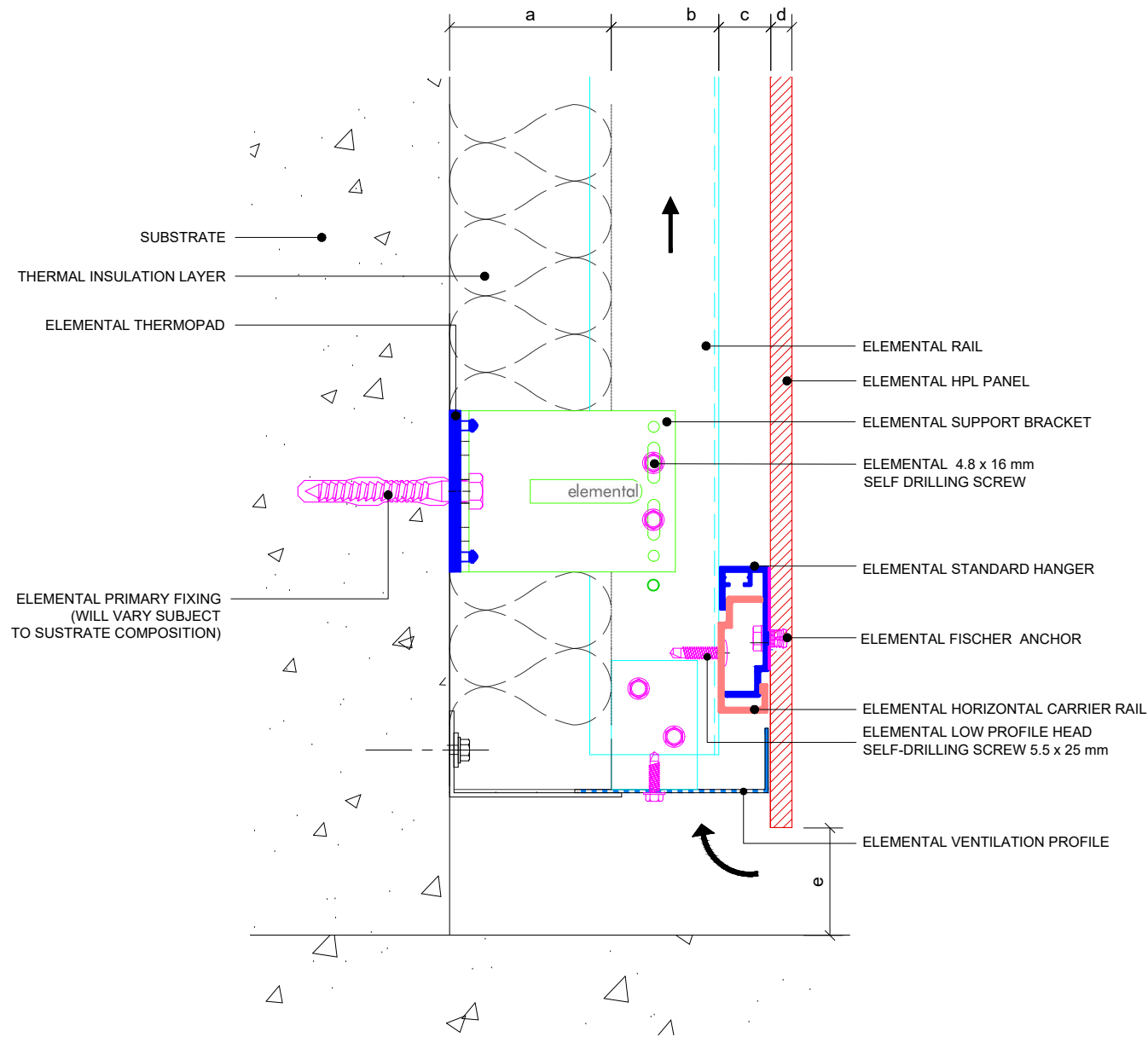
Drawn:

V.C.

Rev.

01

These drawings are indicative only, for use as a guide. The customer is always responsible for any specific design, structural calculations and calculating exact sizes & quantities of panels. Any project details and calculations supplied by Elemental Architectural Cladding Specialists are provided in good faith and should always be checked and approved by the project engineer responsible. Elemental Architectural Cladding Specialists will not accept any liability should the system be designed / installed incorrectly.



Dimensions	
a	Insulation thickness (varies)
b	Free vertical ventilation gap
c	Horizontal Carrier rail and Panel Hanger
d	Panel nominal thickness
e	Distance min. 50mm
a+b+c	Clad Zone



Elemental Architectural Cladding Specialists
 #29 The Cubes Offices, Beacon South Quarter,
 Sandyford
 Dublin 18, D18 A264
 Phone: +353 (0)1 293 8951
 Email: info@elemental.ie

Drawing Title

**ELEMENTAL HPL - MSF
 BASE DETAIL**

Drawing No.

EL-CLB-MH04

System:

**EL-MSF
 HPL**

Size:

A4

Scale:

NTS

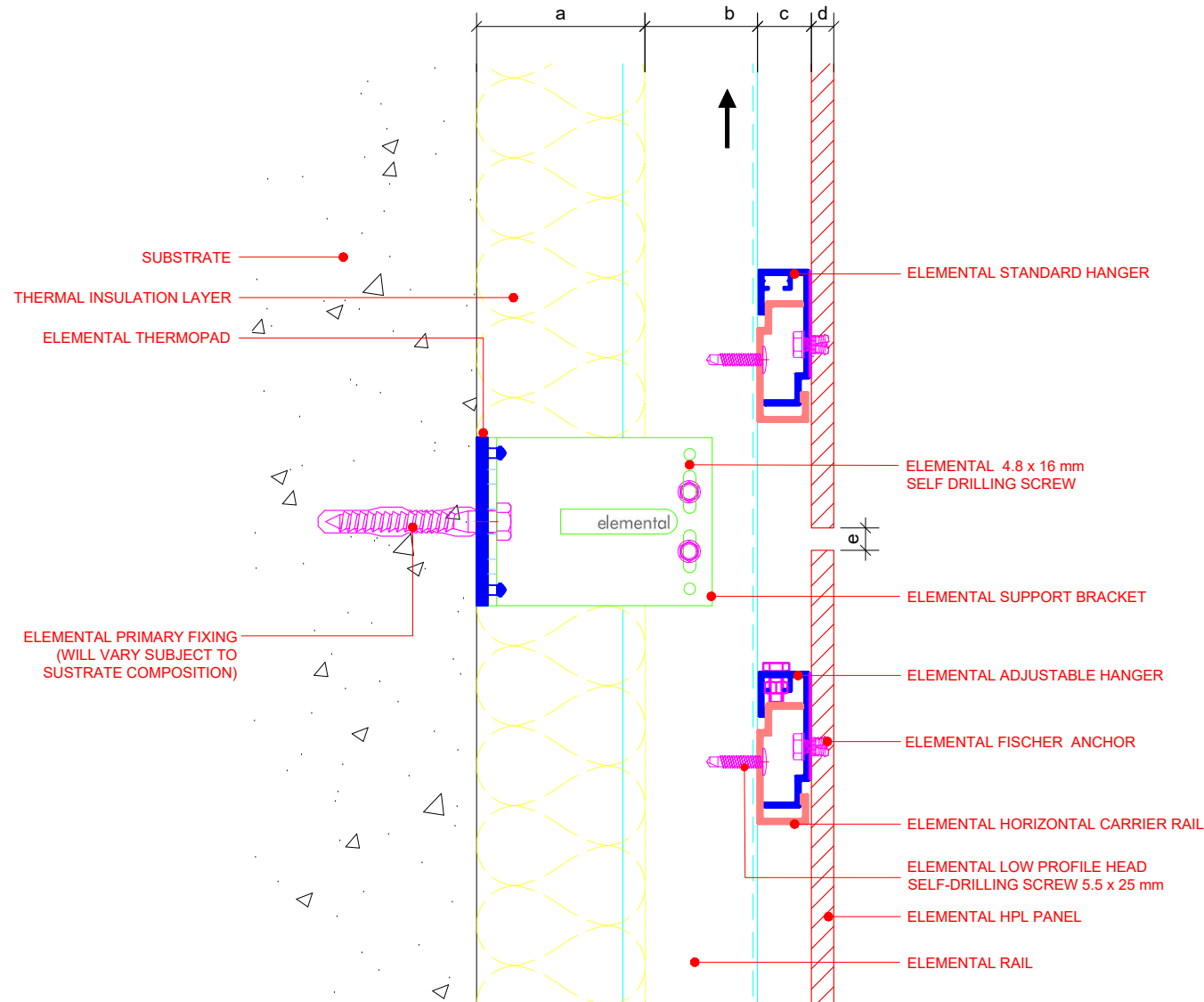
Drawn:

V.C.

Rev.

01

These drawings are indicative only, for use as a guide. The customer is always responsible for any specific design, structural calculations and calculating exact sizes & quantities of panels. Any project details and calculations supplied by Elemental Architectural Cladding Specialists are provided in good faith and should always be checked and approved by the project engineer responsible. Elemental Architectural Cladding Specialists will not accept any liability should the system be designed / installed incorrectly.



- SUBSTRATE
- THERMAL INSULATION LAYER
- ELEMENTAL THERMOPAD
- ELEMENTAL PRIMARY FIXING (WILL VARY SUBJECT TO SUBSTRATE COMPOSITION)
- ELEMENTAL STANDARD HANGER
- ELEMENTAL 4.8 x 16 mm SELF DRILLING SCREW
- ELEMENTAL SUPPORT BRACKET
- ELEMENTAL ADJUSTABLE HANGER
- ELEMENTAL FISCHER ANCHOR
- ELEMENTAL HORIZONTAL CARRIER RAIL
- ELEMENTAL LOW PROFILE HEAD SELF-DRILLING SCREW 5.5 x 25 mm
- ELEMENTAL HPL PANEL
- ELEMENTAL RAIL

Dimensions	
a	Insulation thickness (varies)
b	Free vertical ventilation gap
c	Horizontal Carrier rail and Panel Hanger
d	Panel nominal thickness
e	Panel joint - min 10mm
a+b+c	Clad Zone



Elemental Architectural Cladding Specialists
 #29 The Cubes Offices, Beacon South Quarter,
 Sandyford
 Dublin 18, D18 A264
 Phone: +353 (0)1 293 8951
 Email: info@elemental.ie

Drawing Title

**ELEMENTAL HPL - MSF
 HORIZONTAL PANEL JOINT DETAIL**

Drawing No.

EL-CLB-MH05

System:

EL-MSF
 HPL

Size:

A4

Scale:

NTS

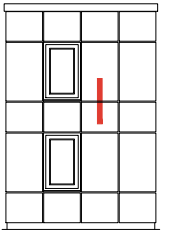
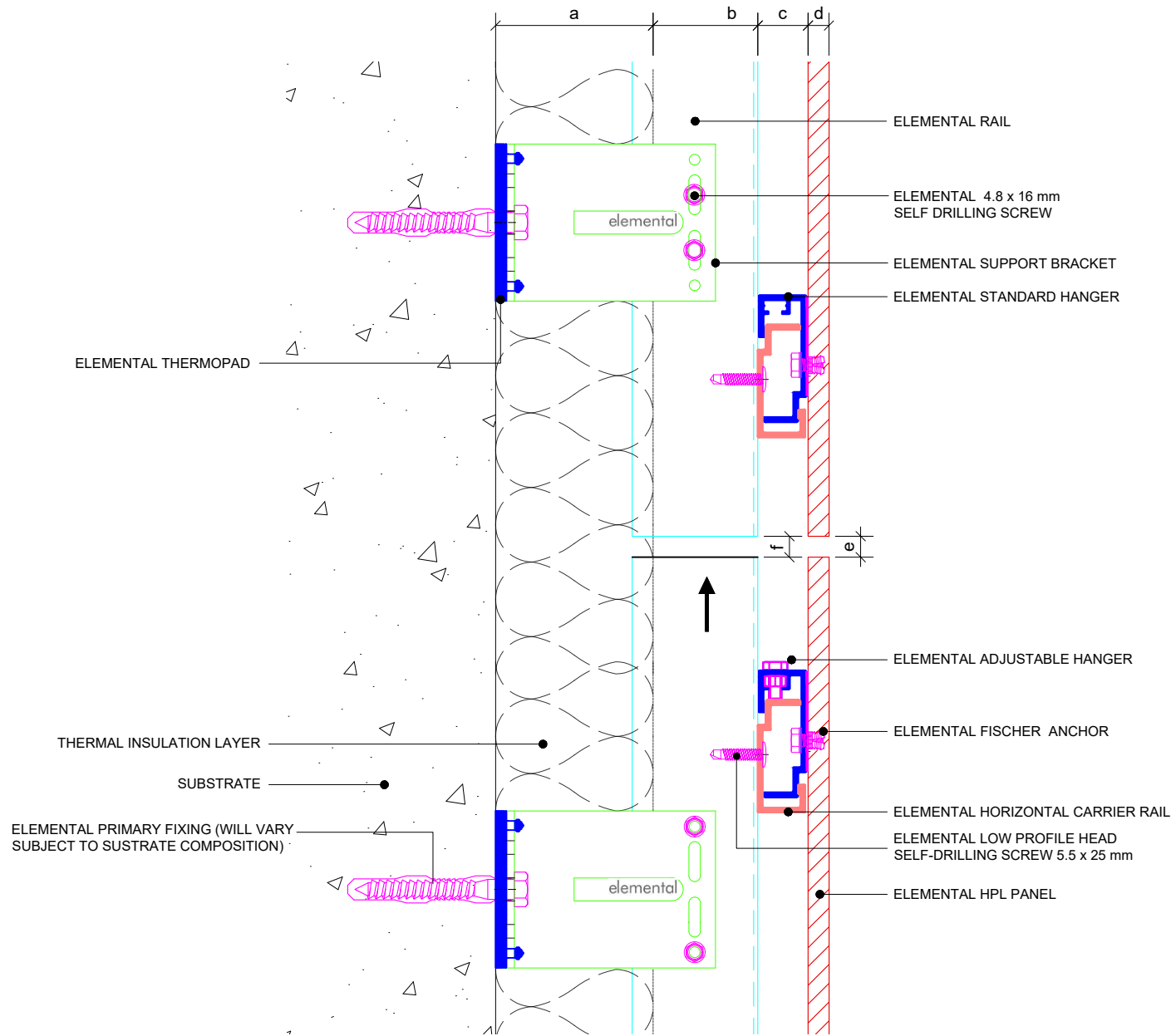
Drawn:

V.C.

Rev.

01

These drawings are indicative only, for use as a guide. The customer is always responsible for any specific design, structural calculations and calculating exact sizes & quantities of panels. Any project details and calculations supplied by Elemental Architectural Cladding Specialists are provided in good faith and should always be checked and approved by the project engineer responsible. Elemental Architectural Cladding Specialists will not accept any liability should the system be designed / installed incorrectly.



Dimensions	
a	Insulation thickness (varies)
b	Free vertical ventilation gap
c	Horizontal Carrier rail and Panel Hanger
d	Panel nominal thickness
e	Panel joint - min 10mm
f	Rail joint - Min 10mm
a+b+c	Clad Zone

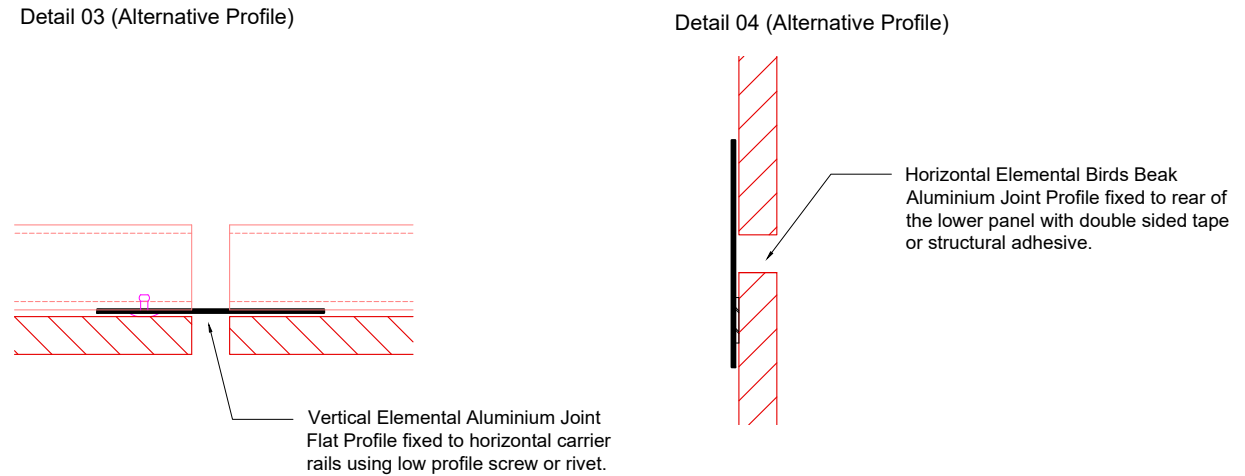
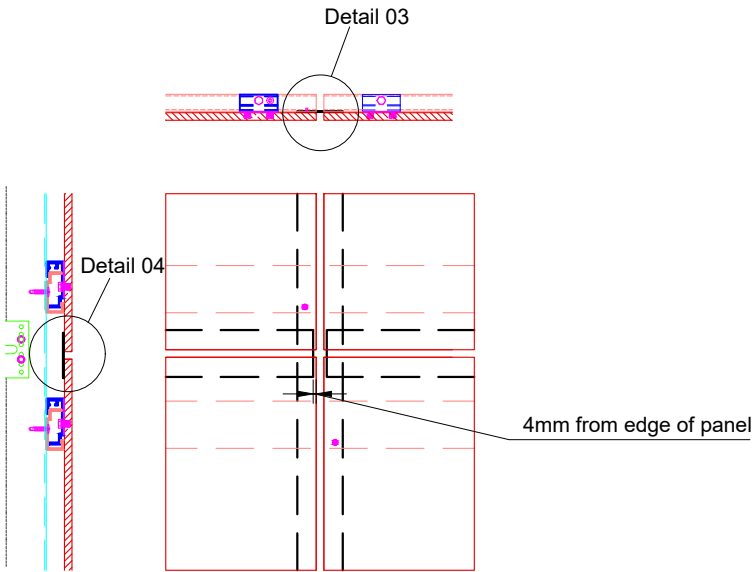
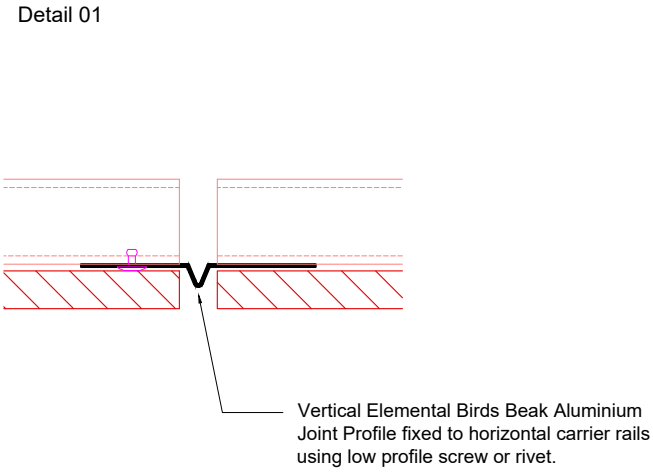
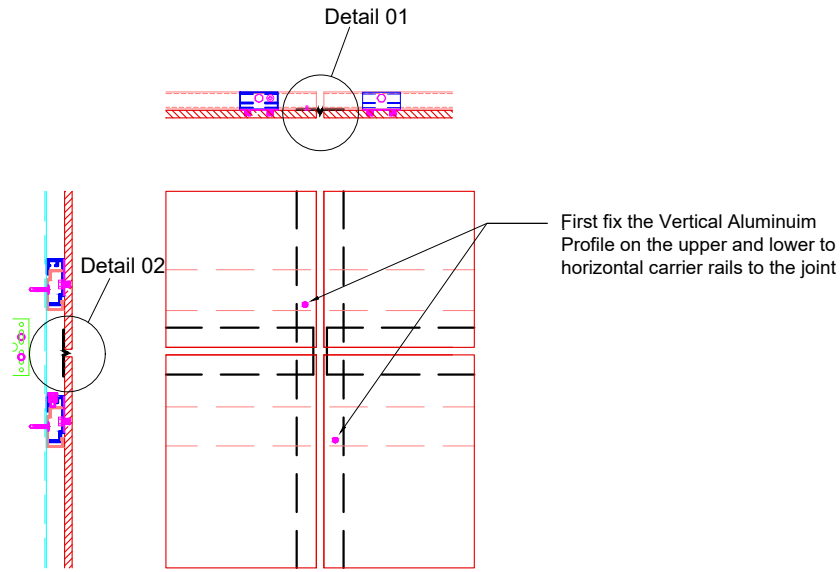


Elemental Architectural Cladding Specialists
 #29 The Cubes Offices, Beacon South Quarter,
 Sandyford
 Dublin 18, D18 A264
 Phone: +353 (0)1 293 8951
 Email: info@elemental.ie

Drawing Title	ELEMENTAL HPL - MSF RAIL SUPPORT AND PANEL HORIZONTAL JOINT DETAIL										
Drawing No.	EL-CLB-MH06	System:	EL-MSF HPL	Size:	A4	Scale:	NTS	Drawn:	V.C.	Rev.	01

Elemental Architectural Cladding Specialists reserve the right to amend details at any time without prior notice. Reproduction or disclosure to third parties is strictly prohibited and can only be attained through signed, written consent from Elemental ACS.

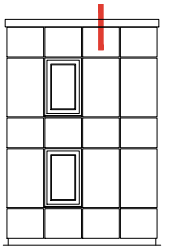
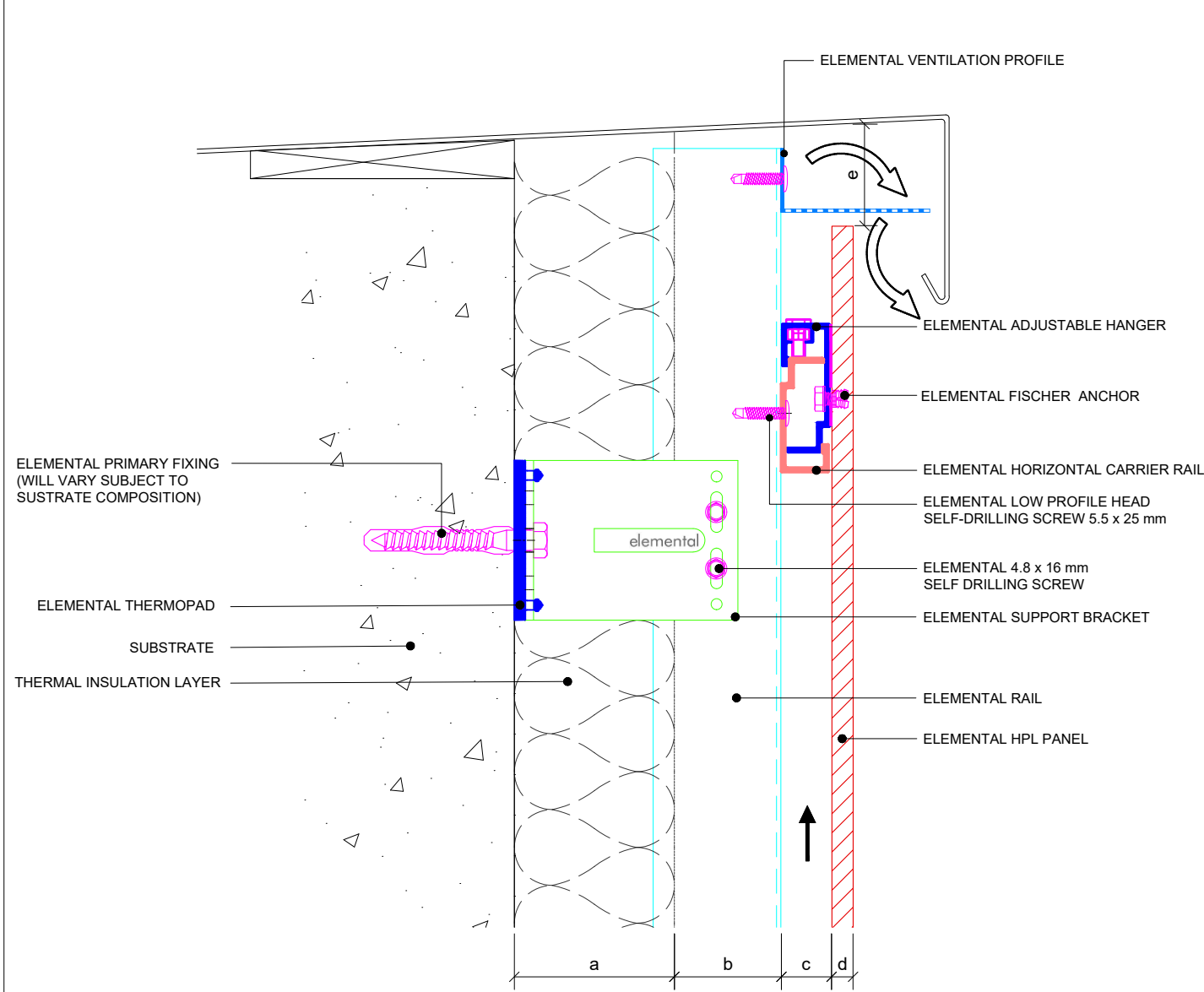
These drawings are indicative only, for use as a guide. The customer is always responsible for any specific design, structural calculations and calculating exact sizes & quantities of panels. Any project details and calculations supplied by Elemental Architectural Cladding Specialists are provided in good faith and should always be checked and approved by the project engineer responsible. Elemental Architectural Cladding Specialists will not accept any liability should the system be designed / installed incorrectly.



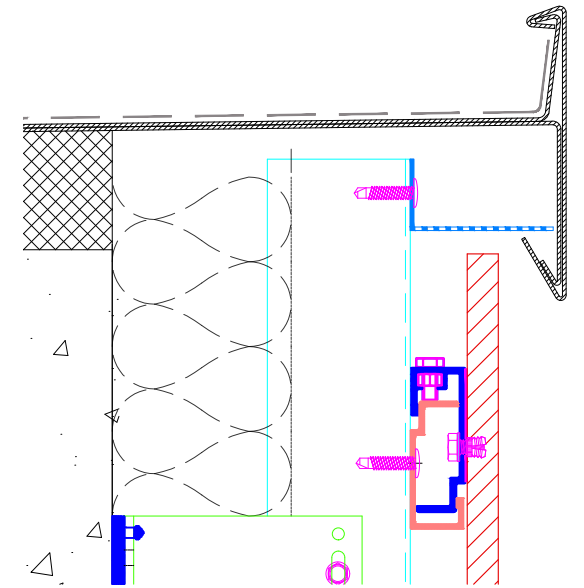
Elemental Architectural Cladding Specialists
 #29 The Cubes Offices, Beacon South Quarter,
 Sandyford
 Dublin 18, D18 A264
 Phone: +353 (0)1 293 8951
 Email: info@elemental.ie

Drawing Title		ELEMENTAL HPL - MSF RAIL SUPPORT AND JOINT DETAILS									
Drawing No.	EL-CLB-MH07	System:	EL-MSF HPL	Size:	A4	Scale:	NTS	Drawn:	V.C.	Rev.	01

These drawings are indicative only, for use as a guide. The customer is always responsible for any specific design, structural calculations and calculating exact sizes & quantities of panels. Any project details and calculations supplied by Elemental Architectural Cladding Specialists are provided in good faith and should always be checked and approved by the project engineer responsible. Elemental Architectural Cladding Specialists will not accept any liability should the system be designed / installed incorrectly.



PARAPET DETAILS OPTIONS



Dimensions	
a	Insulation thickness (varies)
b	Free vertical ventilation gap
c	Horizontal Carrier rail and Panel Hanger
d	Panel nominal thickness
e	Ventilation - inlet & outlet ventilation gaps
a+b+c	Clad Zone

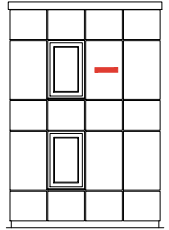
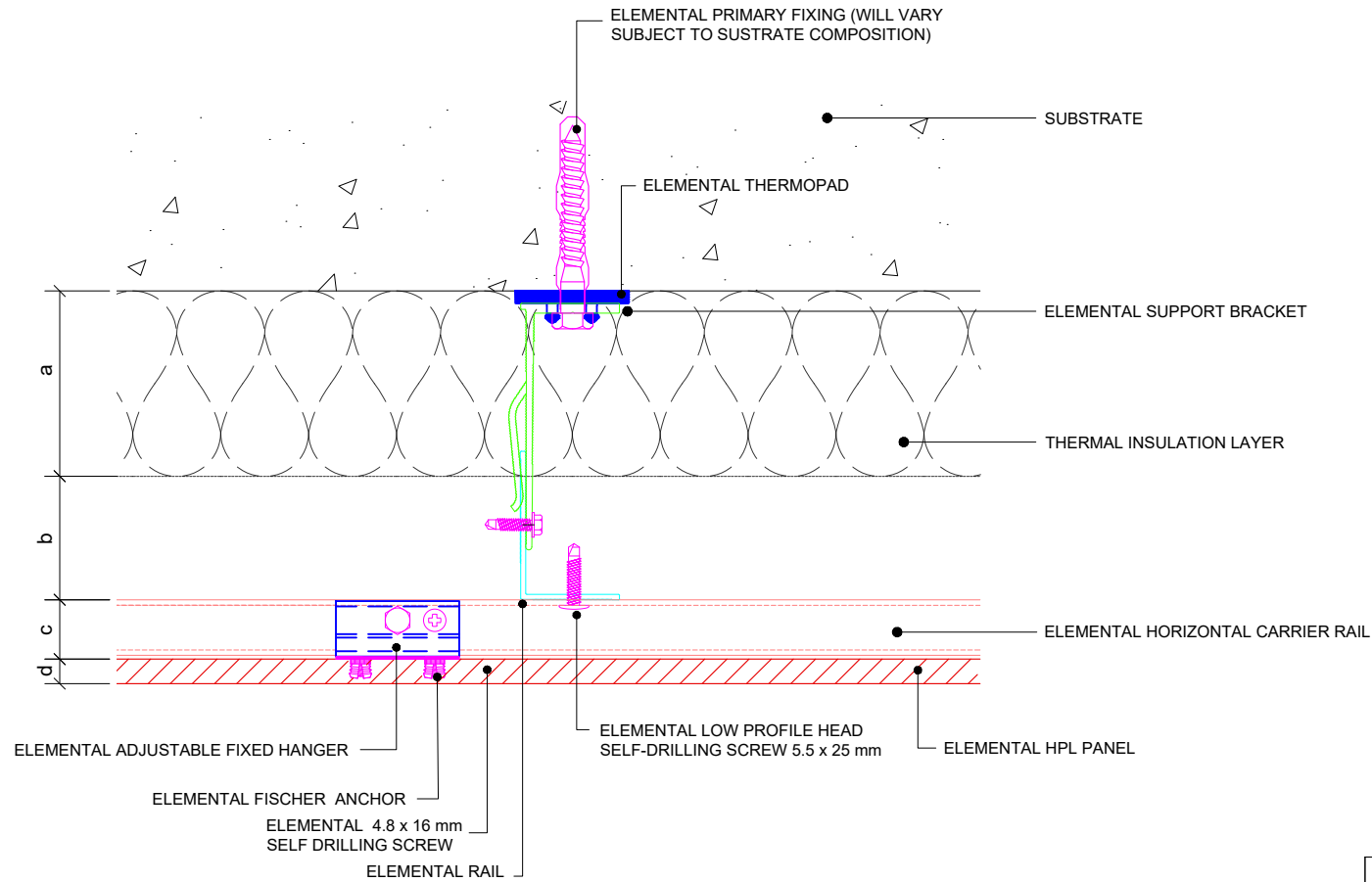


Elemental Architectural Cladding Specialists
 #29 The Cubes Offices, Beacon South Quarter,
 Sandyford
 Dublin 18, D18 A264
 Phone: +353 (0)1 293 8951
 Email: info@elemental.ie

Drawing Title	ELEMENTAL HPL - MSF GENERAL PARAPET DETAIL										
Drawing No.	EL-CLB-MH08	System:	EL-MSF HPL	Size:	A4	Scale:	NTS	Drawn:	V.C.	Rev.	01

Elemental Architectural Cladding Specialists reserve the right to amend details at any time without prior notice. Reproduction or disclosure to third parties is strictly prohibited and can only be attained through signed, written consent from Elemental ACS.

These drawings are indicative only, for use as a guide. The customer is always responsible for any specific design, structural calculations and calculating exact sizes & quantities of panels. Any project details and calculations supplied by Elemental Architectural Cladding Specialists are provided in good faith and should always be checked and approved by the project engineer responsible. Elemental Architectural Cladding Specialists will not accept any liability should the system be designed / installed incorrectly.



Dimensions	
a	Insulation thickness (varies)
b	Free vertical ventilation gap
c	Horizontal Carrier rail and Panel Hanger
d	Panel nominal thickness
e	Panel joint - min 10mm
a+b+c	Clad Zone

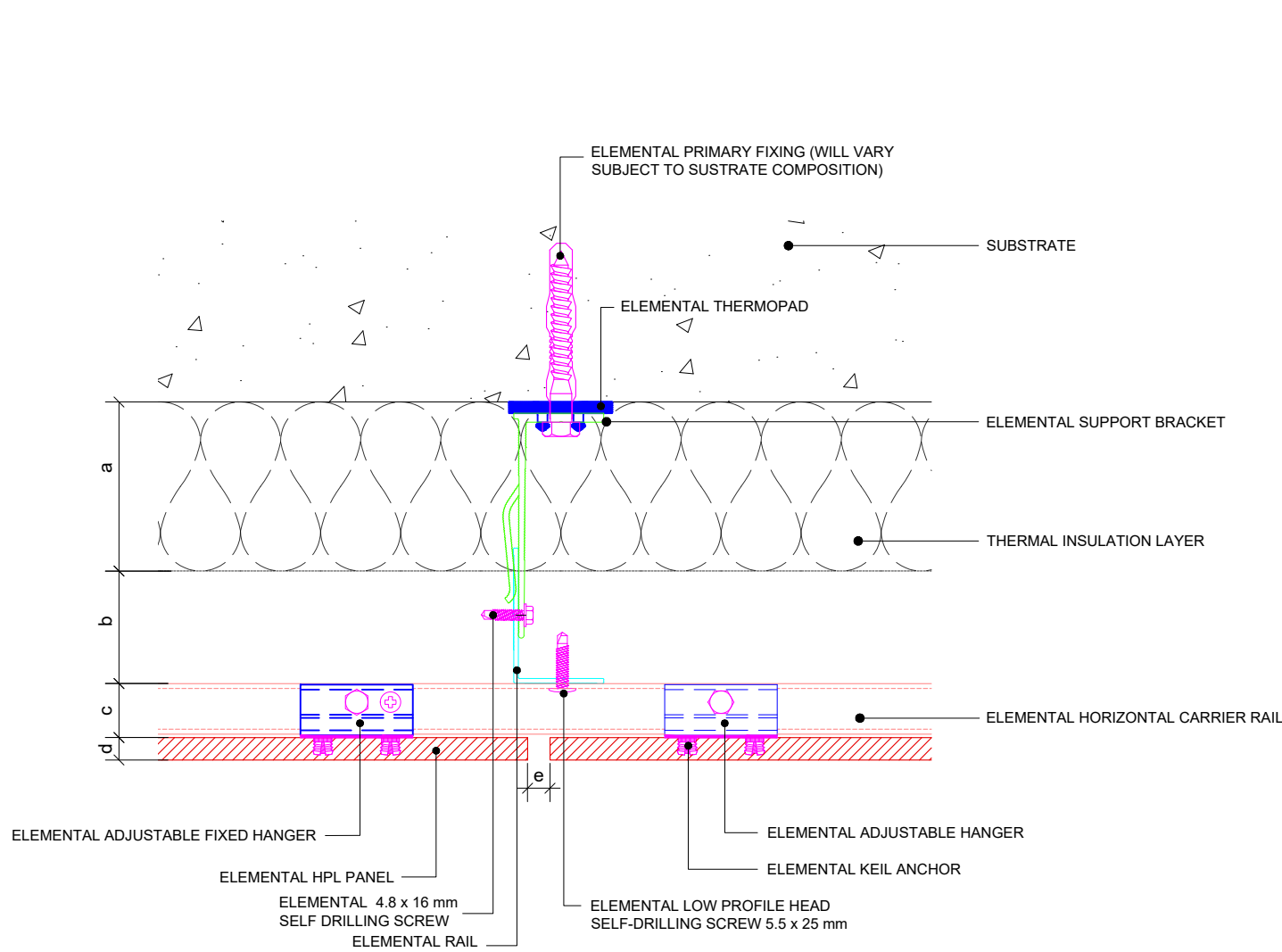


Elemental Architectural Cladding Specialists
 #29 The Cubes Offices, Beacon South Quarter,
 Sandyford
 Dublin 18, D18 A264
 Phone: +353 (0)1 293 8951
 Email: info@elemental.ie

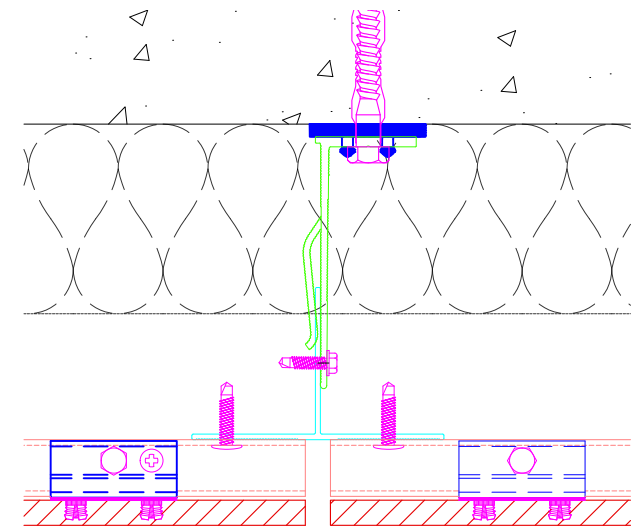
Drawing Title	ELEMENTAL HPL - MSF INTERMEDIATE PANEL SUPPORT DETAIL										
Drawing No.	EL-CLB-MH09	System:	EL-MSF HPL	Size:	A4	Scale:	NTS	Drawn:	V.C.	Rev.	01

Elemental Architectural Cladding Specialists reserve the right to amend details at any time without prior notice. Reproduction or disclosure to third parties is strictly prohibited and can only be attained through signed, written consent from Elemental ACS.


These drawings are indicative only, for use as a guide. The customer is always responsible for any specific design, structural calculations and calculating exact sizes & quantities of panels. Any project details and calculations supplied by Elemental Architectural Cladding Specialists are provided in good faith and should always be checked and approved by the project engineer responsible. Elemental Architectural Cladding Specialists will not accept any liability should the system be designed / installed incorrectly.



RAIL SUPPORT AND VERTICAL PANEL JOINT

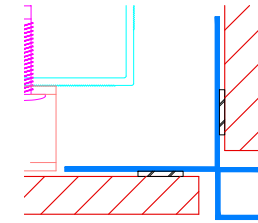
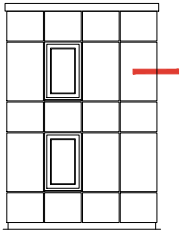
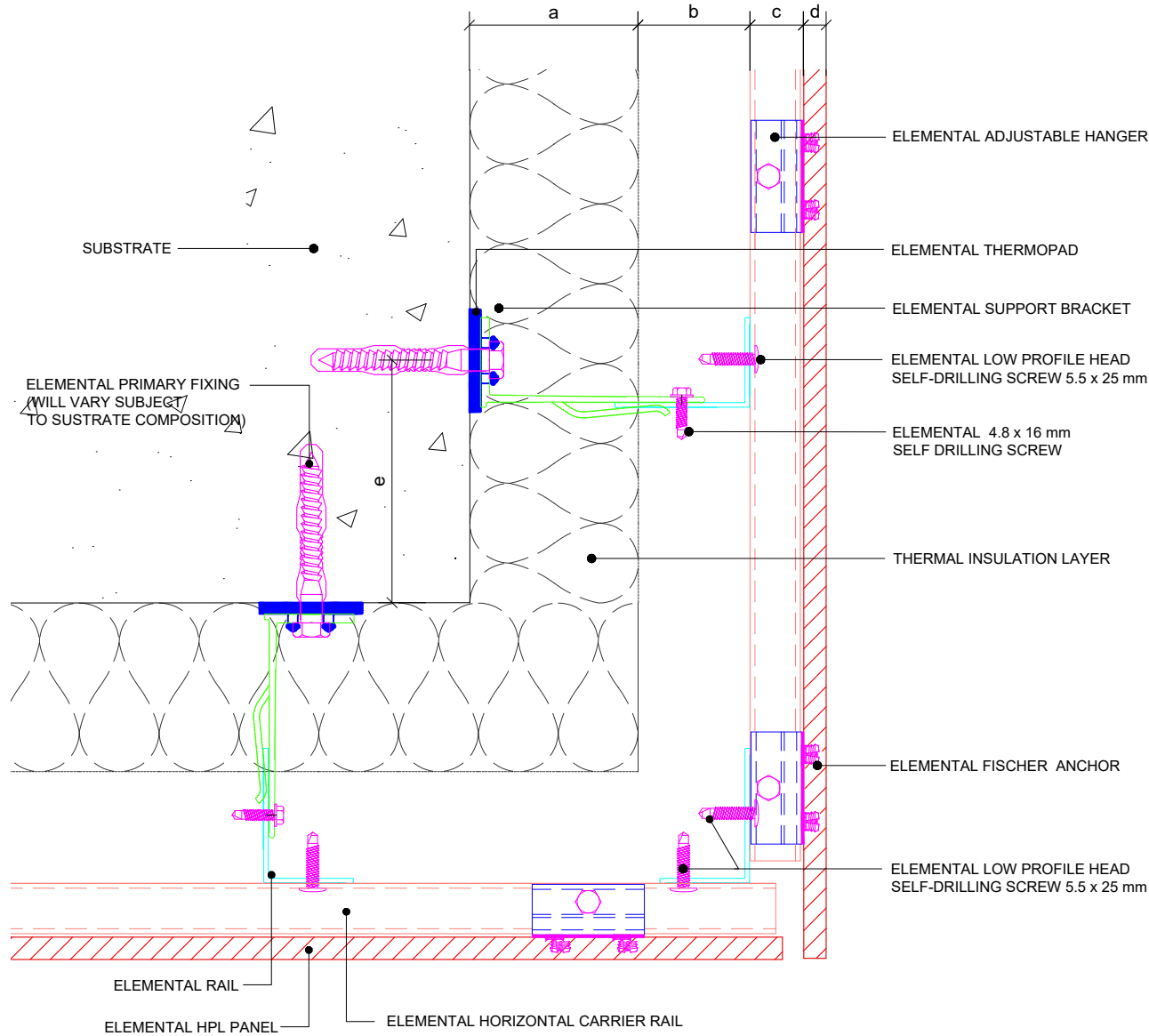


Dimensions	
a	Insulation thickness (varies)
b	Free vertical ventilation gap
c	Horizontal Carrier rail and Panel Hanger
d	Panel nominal thickness
e	Panel joint - min 10mm
a+b+c	Clad Zone

 <p>Elemental Architectural Cladding Specialists #29 The Cubes Offices, Beacon South Quarter, Sandyford Dublin 18, D18 A264 Phone: +353 (0)1 293 8951 Email: info@elemental.ie</p>	Drawing Title	ELEMENTAL HPL - MSF VERTICAL JOINT DETAIL									
	Drawing No.	EL-CLB-MH10	System:	EL-MSF HPL	Size:	A4	Scale:	NTS	Drawn:	V.C.	Rev.

Elemental Architectural Cladding Specialists reserve the right to amend details at any time without prior notice. Reproduction or disclosure to third parties is strictly prohibited and can only be attained through signed, written consent from Elemental ACS.

These drawings are indicative only, for use as a guide. The customer is always responsible for any specific design, structural calculations and calculating exact sizes & quantities of panels. Any project details and calculations supplied by Elemental Architectural Cladding Specialists are provided in good faith and should always be checked and approved by the project engineer responsible. Elemental Architectural Cladding Specialists will not accept any liability should the system be designed / installed incorrectly.



* Corner profile option

Dimensions	
a	Insulation thickness (varies)
b	Free vertical ventilation gap
c	Horizontal Carrier rail and Panel Hanger
d	Panel nominal thickness
e	Min. recommended distance
a+b+c	Clad Zone



elemental
Architectural Cladding Specialists

Elemental Architectural Cladding Specialists
 #29 The Cubes Offices, Beacon South Quarter,
 Sandyford
 Dublin 18, D18 A264
 Phone: +353 (0)1 293 8951
 Email: info@elemental.ie

Drawing Title

**ELEMENTAL HPL - MSF
EXTERNAL CORNER OPTIONS**

Drawing No.

EL-CLB-MH11

System:

**EL-MSF
HPL**

Size:

A4

Scale:

NTS

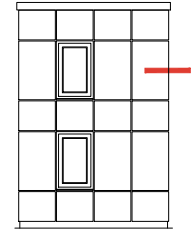
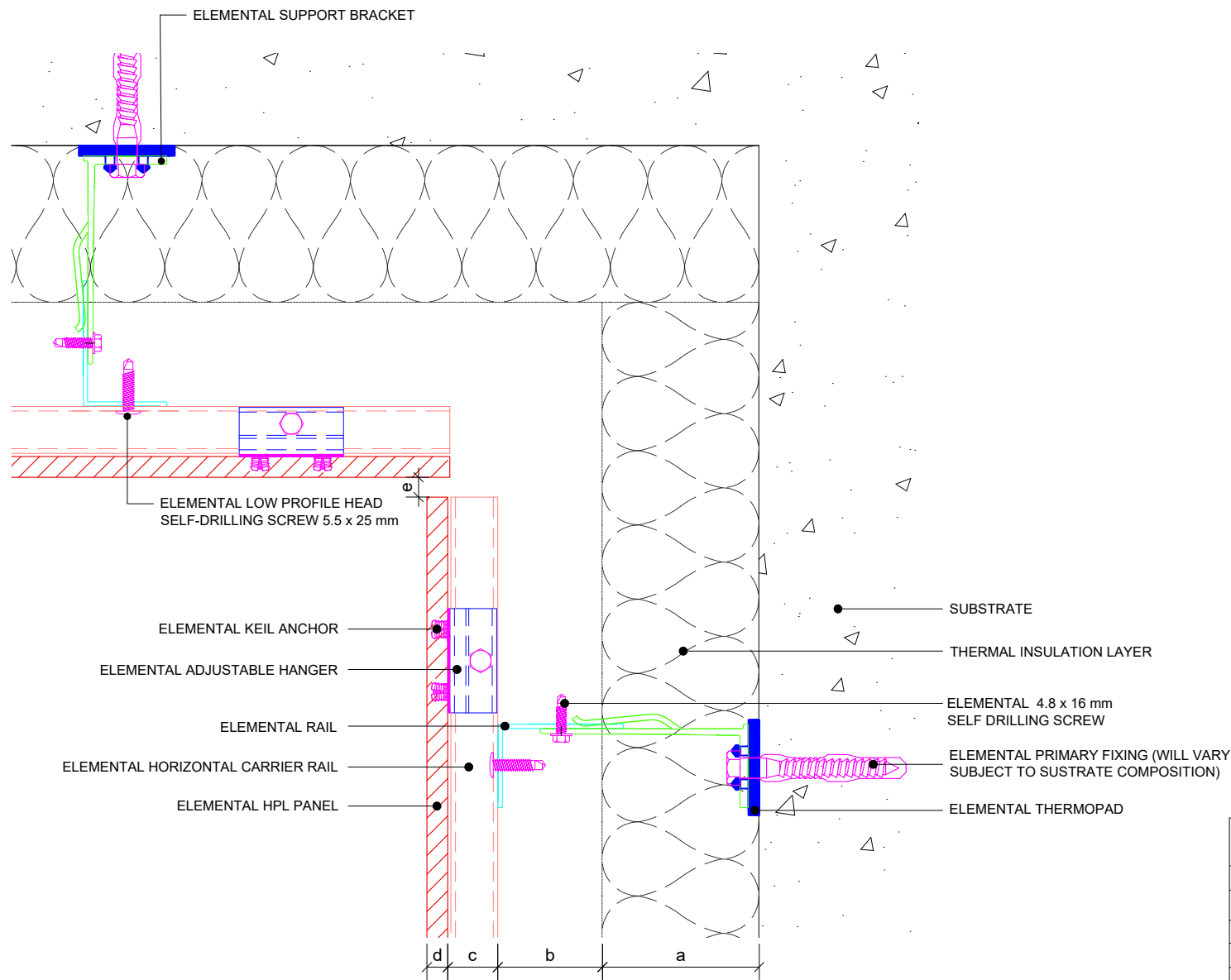
Drawn:

V.C.


Rev.

01

These drawings are indicative only, for use as a guide. The customer is always responsible for any specific design, structural calculations and calculating exact sizes & quantities of panels. Any project details and calculations supplied by Elemental Architectural Cladding Specialists are provided in good faith and should always be checked and approved by the project engineer responsible. Elemental Architectural Cladding Specialists will not accept any liability should the system be designed / installed incorrectly.

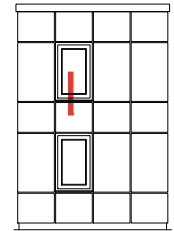
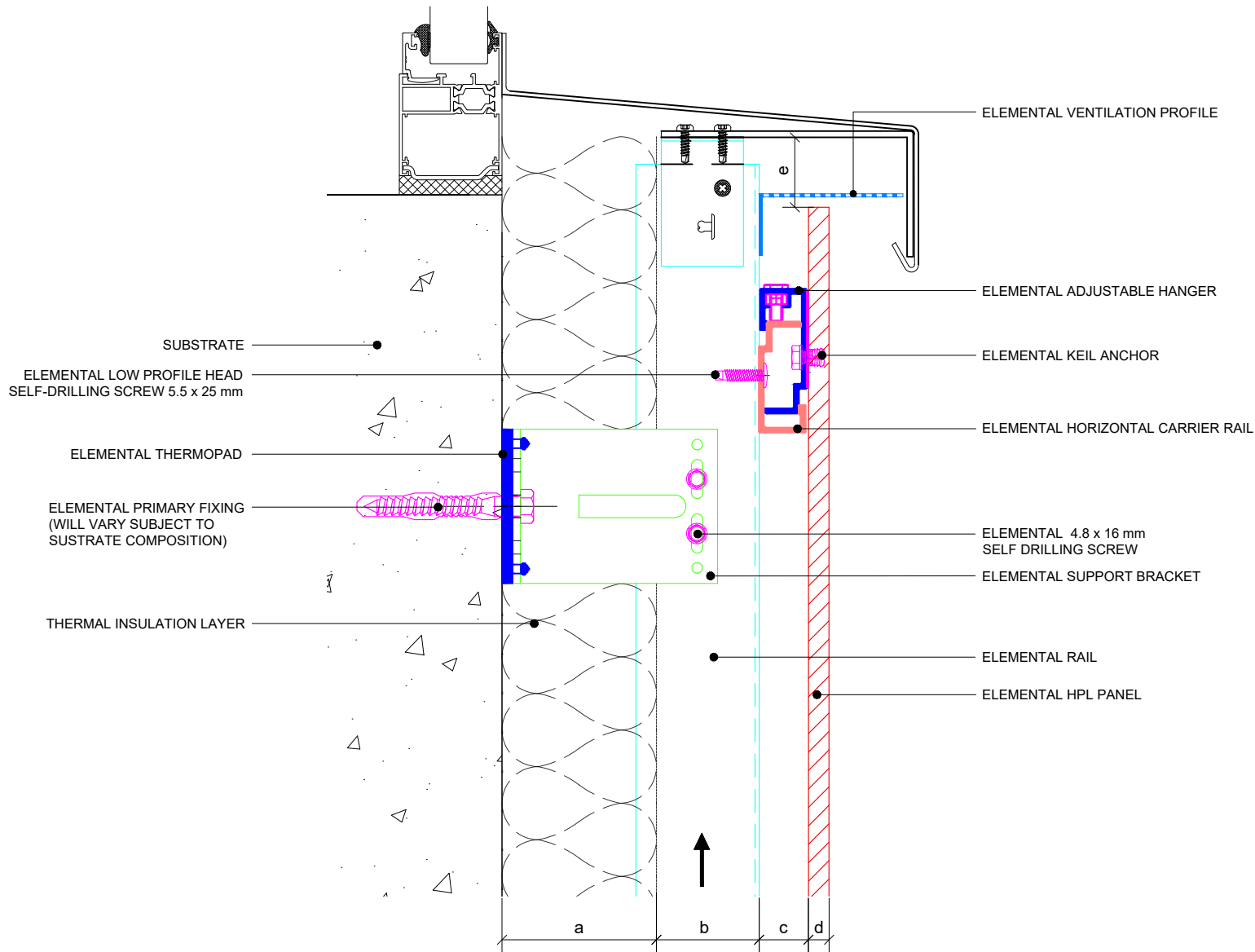


Dimensions	
a	Insulation thickness (varies)
b	Free vertical ventilation gap
c	Horizontal Carrier rail and Panel Hanger
d	Panel nominal thickness
e	Panel Joint 10mm
a+ b+c	Clad Zone

 <p>Elemental Architectural Cladding Specialists #29 The Cubes Offices, Beacon South Quarter, Sandyford Dublin 18, D18 A264 Phone: +353 (0)1 293 8951 Email: info@elemental.ie</p>	Drawing Title		ELEMENTAL HPL - MSF INTERNAL OPEN JOINT OPTION								
	Drawing No.	EL-CLB-MH12	System:	EL-MSF HPL	Size:	A4	Scale:	NTS	Drawn:	V.C.	Rev.

Elemental Architectural Cladding Specialists reserve the right to amend details at any time without prior notice. Reproduction or disclosure to third parties is strictly prohibited and can only be attained through signed, written consent from Elemental ACS.

These drawings are indicative only, for use as a guide. The customer is always responsible for any specific design, structural calculations and calculating exact sizes & quantities of panels. Any project details and calculations supplied by Elemental Architectural Cladding Specialists are provided in good faith and should always be checked and approved by the project engineer responsible. Elemental Architectural Cladding Specialists will not accept any liability should the system be designed / installed incorrectly.



Dimensions	
a	Insulation thickness (varies)
b	Free vertical ventilation gap
c	Horizontal Carrier rail and Panel Hanger
d	Panel nominal thickness
e	Ventilation - inlet & outlet ventilation gaps
a+b+c	Clad Zone



Elemental Architectural Cladding Specialists
 #29 The Cubes Offices, Beacon South Quarter,
 Sandyford
 Dublin 18, D18 A264
 Phone: +353 (0)1 293 8951
 Email: info@elemental.ie

Drawing Title

**ELEMENTAL HPL - MSF
 GENERIC WINDOW CILL DETAIL**

Drawing No.

EL-CLB-MH13

System:

**EL-MSF
 HPL**

Size:

A4

Scale:

NTS

Drawn:

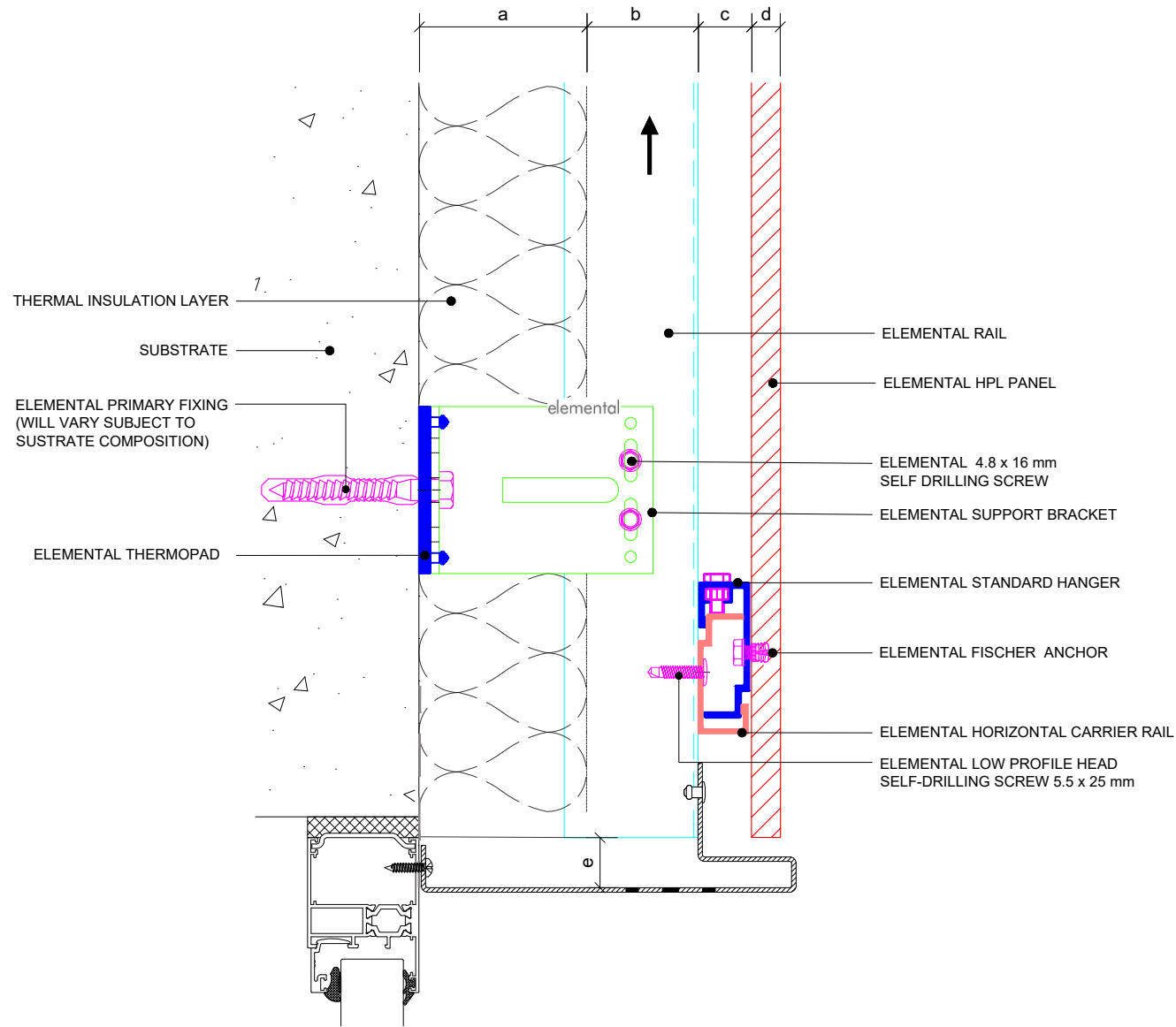
V.C.

Rev.

01

Elemental Architectural Cladding Specialists reserve the right to amend details at any time without prior notice. Reproduction or disclosure to third parties is strictly prohibited and can only be attained through signed, written consent from Elemental ACS.

These drawings are indicative only, for use as a guide. The customer is always responsible for any specific design, structural calculations and calculating exact sizes & quantities of panels. Any project details and calculations supplied by Elemental Architectural Cladding Specialists are provided in good faith and should always be checked and approved by the project engineer responsible. Elemental Architectural Cladding Specialists will not accept any liability should the system be designed / installed incorrectly.



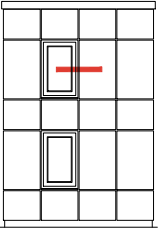
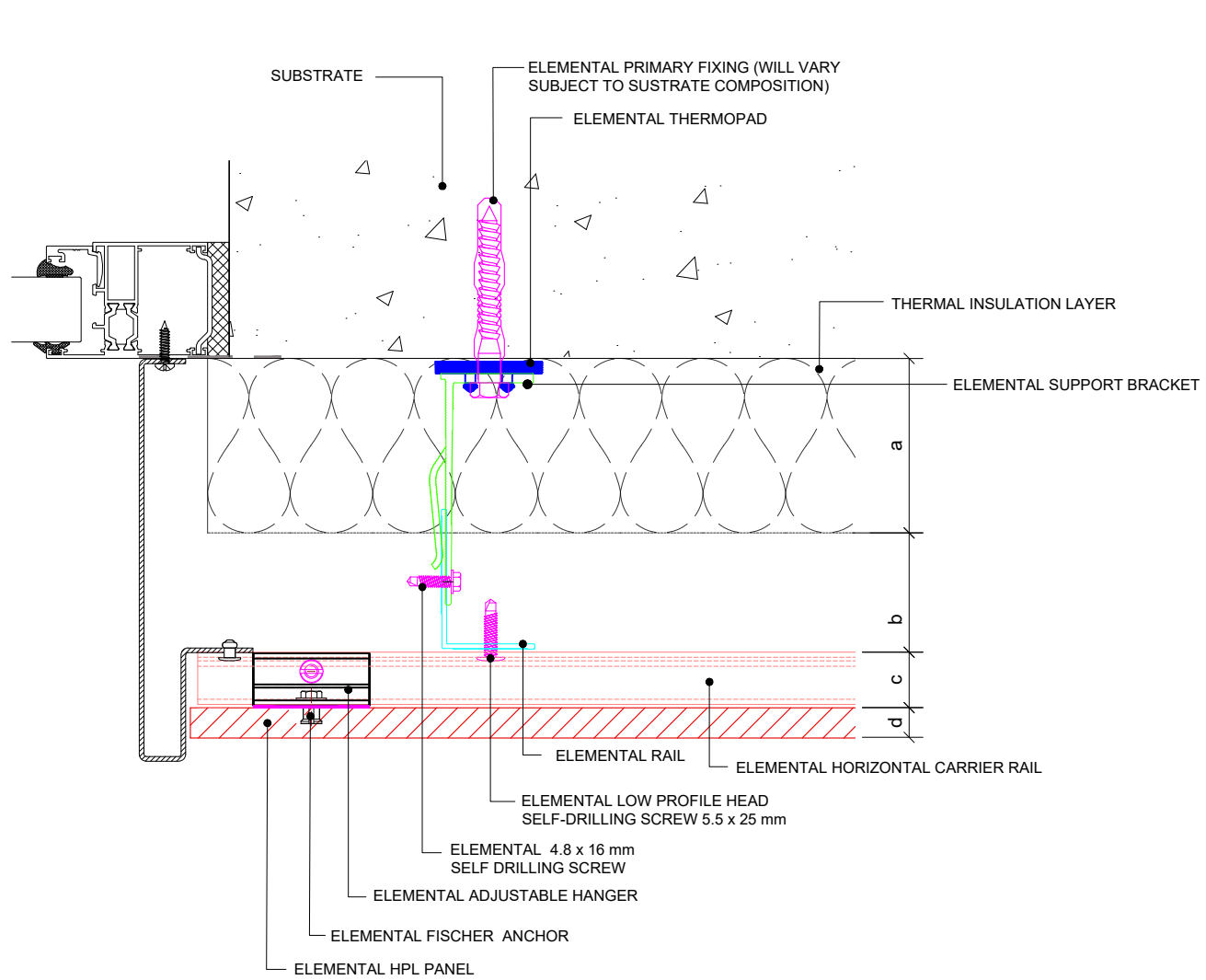
Dimensions	
a	Insulation thickness (varies)
b	Free vertical ventilation gap
c	Horizontal Carrier rail and Panel Hanger
d	Panel nominal thickness
e	A lift of 20mm will allow the panel hanger to clear the horizontal rail. Therefore we advise a minimum of 25mm clearance gap for ease of installation.
a+b+c	Clad Zone

Elemental Architectural Cladding Specialists
 #29 The Cubes Offices, Beacon South Quarter,
 Sandyford
 Dublin 18, D18 A264
 Phone: +353 (0)1 293 8951
 Email: info@elemental.ie

Drawing Title		ELEMENTAL HPL - MSF WINDOW HEAD DETAIL									
Drawing No.	EL-CLB-MH14	System:	EL-MSF HPL	Size:	A4	Scale:	NTS	Drawn:	V.C.	Rev.	01

Elemental Architectural Cladding Specialists reserve the right to amend details at any time without prior notice. Reproduction or disclosure to third parties is strictly prohibited and can only be attained through signed, written consent from Elemental ACS.

These drawings are indicative only, for use as a guide. The customer is always responsible for any specific design, structural calculations and calculating exact sizes & quantities of panels. Any project details and calculations supplied by Elemental Architectural Cladding Specialists are provided in good faith and should always be checked and approved by the project engineer responsible. Elemental Architectural Cladding Specialists will not accept any liability should the system be designed / installed incorrectly.



Dimensions	
a	Insulation thickness (varies)
b	Free vertical ventilation gap
c	Horizontal Carrier rail and Panel Hanger
d	Panel nominal thickness
a+b+c	Clad Zone



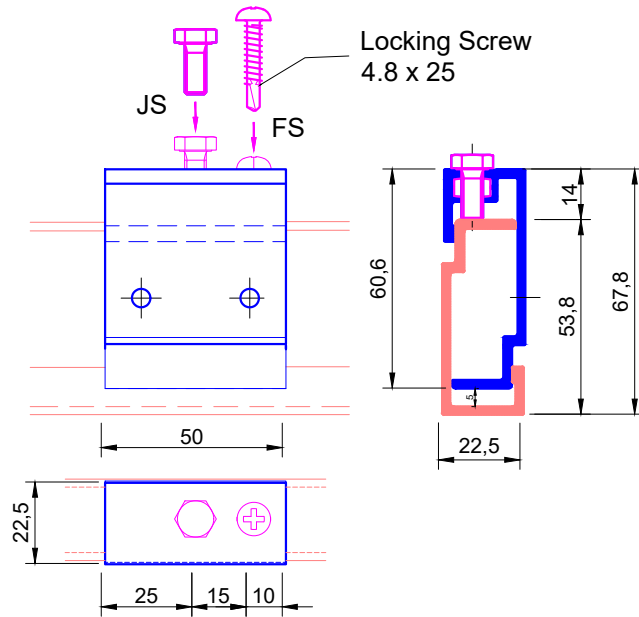
Elemental Architectural Cladding Specialists
 #29 The Cubes Offices, Beacon South Quarter,
 Sandyford
 Dublin 18, D18 A264
 Phone: +353 (0)1 293 8951
 Email: info@elemental.ie

Drawing Title	ELEMENTAL HPL - MSF WINDOW JAMB REVEAL DETAIL										
Drawing No.	EL-CLB-MH15	System:	EL-MSF HPL	Size:	A4	Scale:	NTS	Drawn:	V.C.	Rev.	01

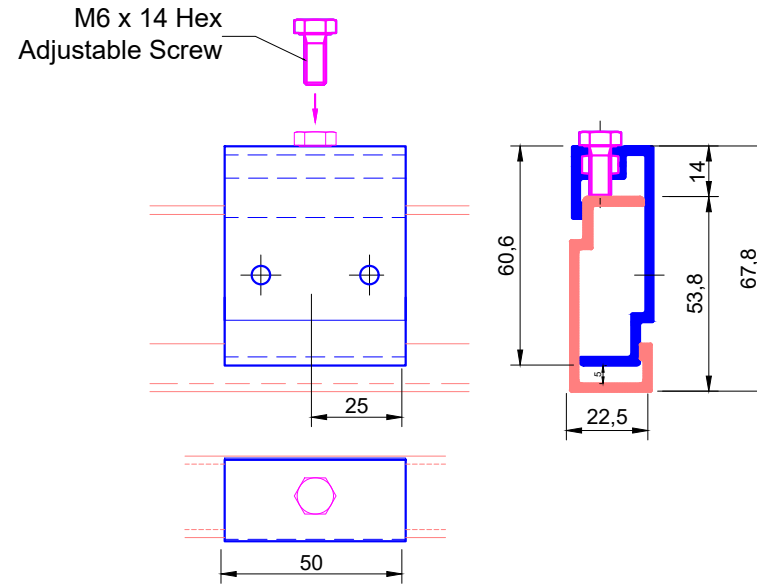
Elemental Architectural Cladding Specialists reserve the right to amend details at any time without prior notice. Reproduction or disclosure to third parties is strictly prohibited and can only be attained through signed, written consent from Elemental ACS.

These drawings are indicative only, for use as a guide. The customer is always responsible for any specific design, structural calculations and calculating exact sizes & quantities of panels. Any project details and calculations supplied by Elemental Architectural Cladding Specialists are provided in good faith and should always be checked and approved by the project engineer responsible. Elemental Architectural Cladding Specialists will not accept any liability should the system be designed / installed incorrectly.

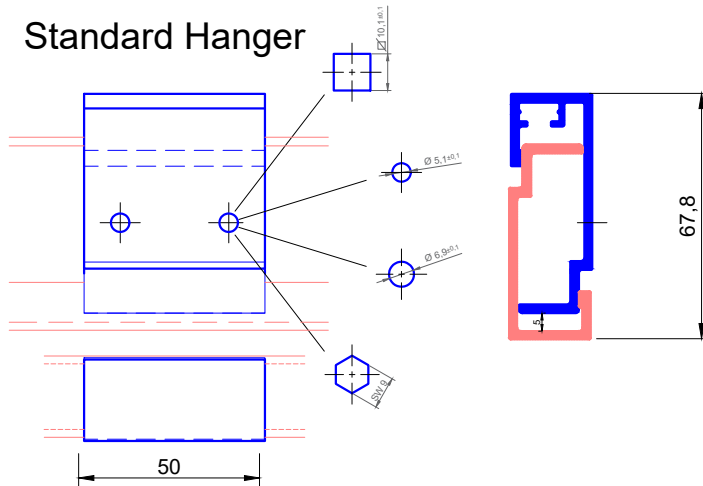
Adjustable Fixed Hanger



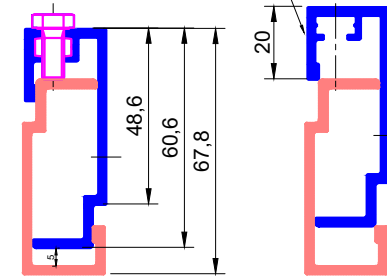
Adjustable Hanger



Standard Hanger



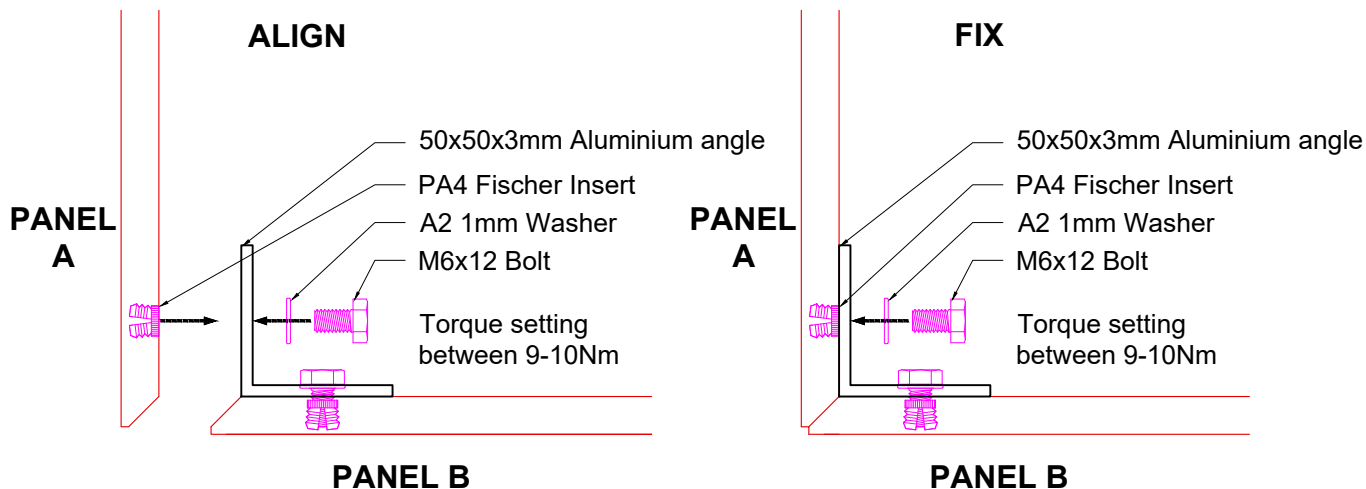
A lift of 20 mm will allow the panel hanger to clear the horizontal rail. We advise a minimum of 25mm clearance gap for ease of installation.



Elemental Architectural Cladding Specialists
 #29 The Cubes Offices, Beacon South Quarter,
 Sandyford
 Dublin 18, D18 A264
 Phone: +353 (0)1 293 8951
 Email: info@elemental.ie

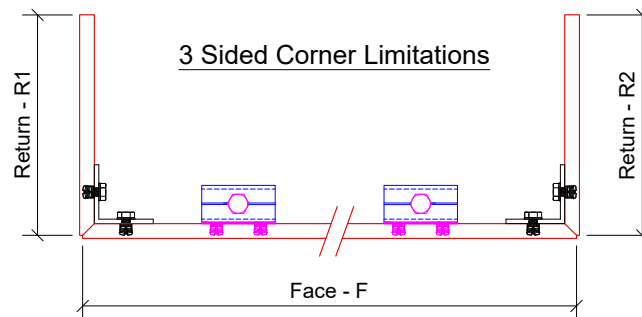
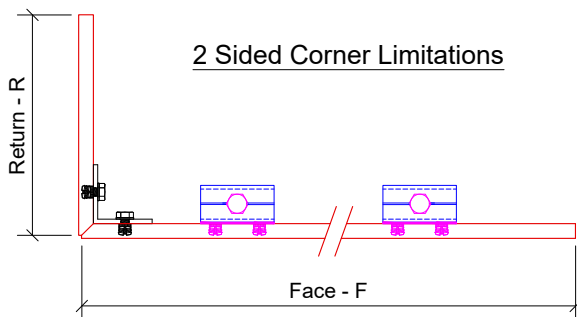
Drawing Title	ELEMENTAL HPL - MSF PANEL HANGERS										
Drawing No.	EL-CLB-MH16	System:	EL-MSF HPL	Size:	A4	Scale:	NTS	Drawn:	V.C.	Rev.	01

MSF Corner site assembled installation guidelines



MSF Corner Guidelines & Limitations

UNSUPPORTED RETURN *	SUPPORTED RETURN *
R ≤ 150mm F ≤ 3042mm	R ≤ 1200mm F ≤ 1200mm



UNSUPPORTED RETURNS *	ONE RETURN SUPPORTED *	BOTH RETURNS SUPPORTED *
R1 ≤ 150mm R2 ≤ 150mm F ≤ 3042mm	R1 ≤ 150mm R2 ≤ 1200mm F ≤ 1200mm	R1 ≤ 1200mm R2 ≤ 1200mm F ≤ 1200mm R1+F+R2 ≤ 2400mm

* **Unsupported Return** - Return panels ≤ 150mm are supported only by the 50x50x3mm angle and inserts.

Supported Return - Additional support is required on returns >150mm (additional set of panel hangers, visible fixings, etc.)



Elemental Architectural Cladding Specialists
 #29 The Cubes Offices, Beacon South Quarter,
 Sandyford
 Dublin 18, D18 A264
 Phone: +353 (0)1 293 8951
 Email: info@elemental.ie

Drawing Title	ELEMENTAL HPL - MSF SITE ASSEMBLED & MSF CORNER GUIDELINES										
Drawing No.	EL-CLB-MH17	System:	EL-MSF HPL	Size:	A4	Scale:	NTS	Drawn:	V.C.	Rev.	01