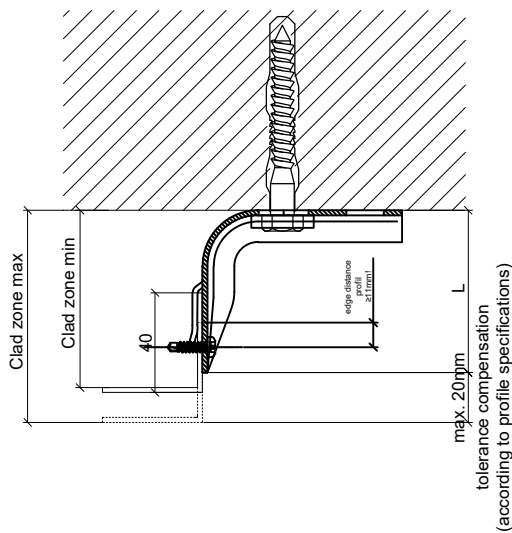


Facade System



elemental
Architectural Cladding Specialists

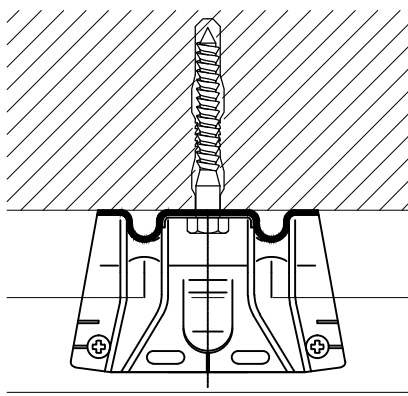
TOLERANCE COMPENSATION



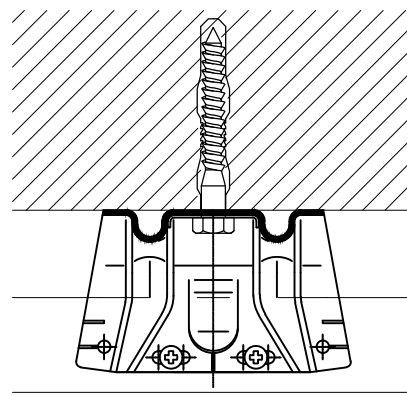
Clad zone for bracket SPIDI max 65 without thermostop and T/L profile with width 40mm

Description	Length L (mm)	Clad zone min (mm)	Clad zone max (mm)
Elemental Bracket 65/80	65	73	85

FIXED POINT



SLIDING POINT



Tolerance compensation - fixed/sliding point

This document is NOT an installation manual (assembly instruction), but merely serves to illustrate the product. This applies in particular to all graphic images. They are solely of an exemplary nature and do not represent any grounds for liability, warranty or other claims. Our engineers MUST be consulted prior to installation in order to ensure that the product is duly and properly installed. Product modifications within the scope of technical progress reserved. Misprints and errors reserved. Our General Terms of Business apply. (c) .Kariega Limited T/A Elemental Cladding